

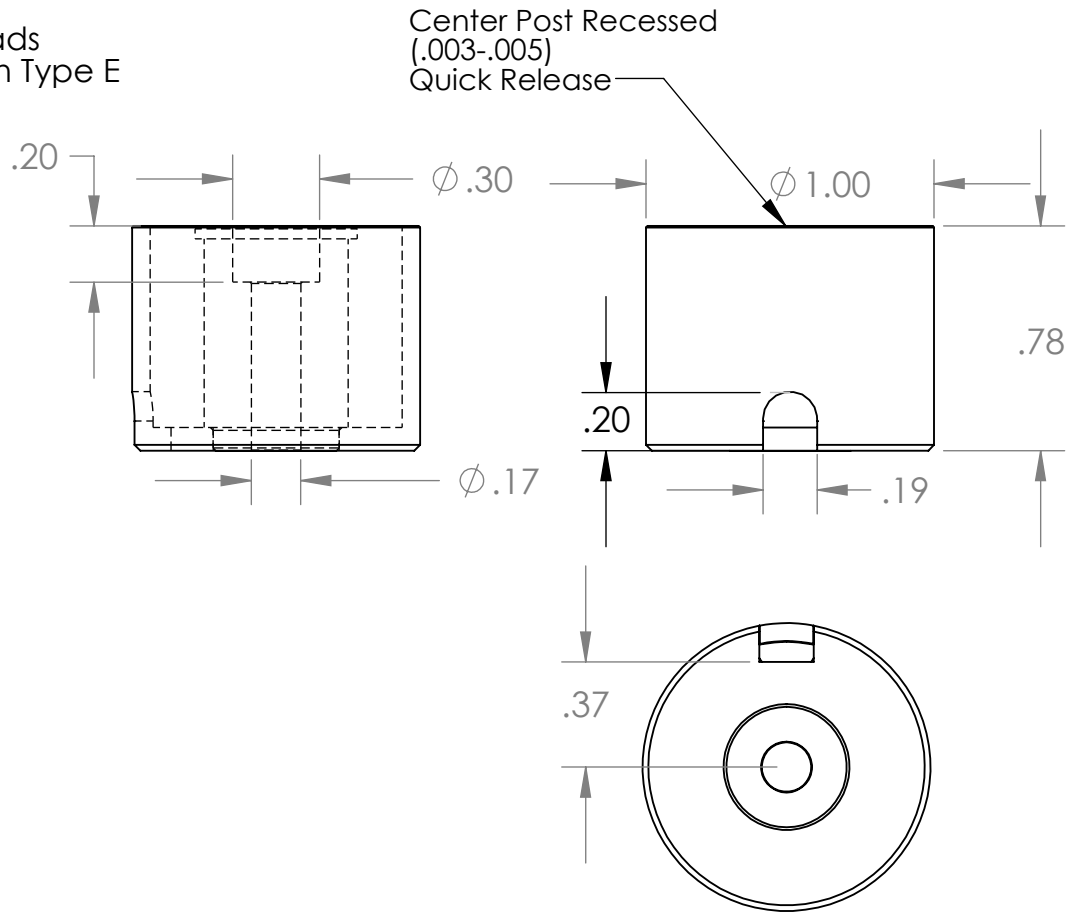
Isometric View

**Electrical Specifications**

- Voltage:** 24 VDC
- Duty Cycle:** Continuous
- Resistance:** 140 ohms ± 10% (@ 20c)
- Amps @ rated Volts:** 0.17
- Watts @ rated Volts:** 4.0
- Holding:** 25 lbs (1/4" Thick 1215 CRS @ 20c)
- Operating Temp:** -40c to 60c (range)

**Additional Components**

- Screw:** 8-32 x 1.0" Long (Hex Socket Head Cap) w/Nylok
- Spring:** N/A
- Spiral Pin:** N/A
- Potting:** United Resin Corp. (El-cast Black)
- Finish:** Housing - Zinc or Electroless Nickel Plating (0.0002-0.0003")



**PROPRIETARY AND CONFIDENTIAL**  
 THE INFORMATION CONTAINED IN THIS DRAWING IS THE SOLE PROPERTY OF APW COMPANY. ANY REPRODUCTION IN PART OR AS A WHOLE WITHOUT THE WRITTEN PERMISSION OF APW COMPANY IS PROHIBITED.

		UNLESS OTHERWISE SPECIFIED:		NAME	DATE
		DIMENSIONS ARE IN INCHES	DRAWN	DP	5/21/2024
		TOLERANCES:	CHECKED	JK	5/21/2024
		FRACTIONAL ± .015	ENG APPR.		
		ANGULAR: MACH ± 2 BEND ± 2	MFG APPR.		
		TWO PLACE DECIMAL ± .005	Q.A.		
		THREE PLACE DECIMAL ± .003	COMMENTS:		
		INTERPRET GEOMETRIC TOLERANCING PER: ANSI			
		MATERIAL			
		FINISH			
NEXT ASSY	USED ON				
APPLICATION		DO NOT SCALE DRAWING			

**APW COMPANY INC.**

TITLE: P/N: EM100-12-112

SIZE	DWG. NO.	REV
<b>A</b>	<b>6483</b>	
SCALE: 3:2	WEIGHT:	SHEET 1 OF 1