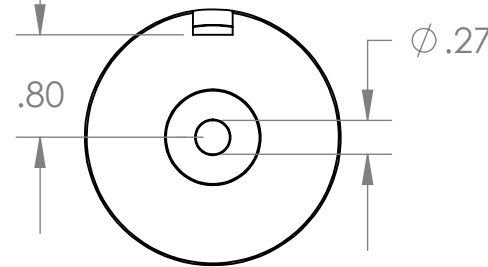
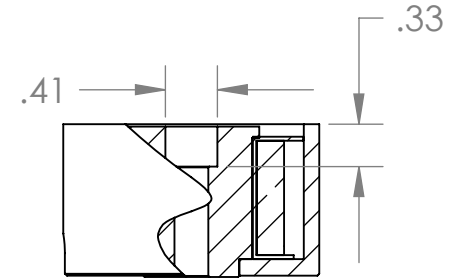
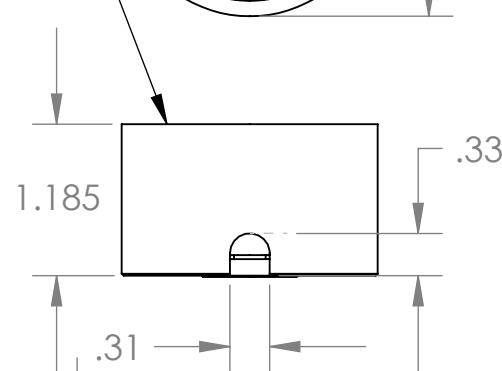
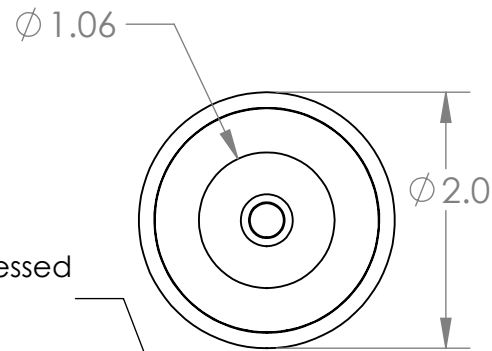


Isometric View

18" Long Leads
18 Ga. Type UL 1015

Center Post Recessed
(.003-.005)
Quick Release



Electrical Specifications

- Voltage:** 24 VDC
- Duty Cycle:** Continuous
- Resistance:** 40 ohms ± 10% (@ 20c)
- Amps @ rated Volts:** 0.6
- Watts @ rated Volts:** 14.4
- Holding:** 140 lbs (1/4" Thick 1215 CRS @ 20c)
- Operating Temp:** -40c to 60c (range)

Additional Components

- Screw:** 1/4-20 x 1 1/4" Long (Hex Socket Head Cap) w/Nylok
- Spring:** N/A
- Spiral Pin:** N/A
- Potting:** United Resin Corp. (El-cast Black)
- Finish:** Housing - Zinc or Electroless Nickel Plating (0.0002-0.0003")

PROPRIETARY AND CONFIDENTIAL
THE INFORMATION CONTAINED IN THIS DRAWING IS THE SOLE PROPERTY OF APW COMPANY. ANY REPRODUCTION IN PART OR AS A WHOLE WITHOUT THE WRITTEN PERMISSION OF APW COMPANY IS PROHIBITED.

		UNLESS OTHERWISE SPECIFIED:		NAME	DATE
		DIMENSIONS ARE IN INCHES	DRAWN	K.H.	07.14.11
		TOLERANCES:	CHECKED	J.K.	07.14.11
		FRACTIONAL ± .015	ENG APPR.	J.K.	07.14.11
		ANGULAR: MACH ± 2 BEND ± 2	MFG APPR.	J.K.	07.14.11
		TWO PLACE DECIMAL ± .005	Q.A.		
		THREE PLACE DECIMAL ± .003	COMMENTS:		
		INTERPRET GEOMETRIC TOLERANCING PER: ANSI			
		MATERIAL			
		FINISH			
NEXT ASSY	USED ON				
APPLICATION		DO NOT SCALE DRAWING			

APW COMPANY		
TITLE:		
P/N: EM200-24H-112-B		
SIZE	DWG. NO.	REV
A	6092	
SCALE: 2:3	WEIGHT:	SHEET 1 OF 1