

Electrical Specifications

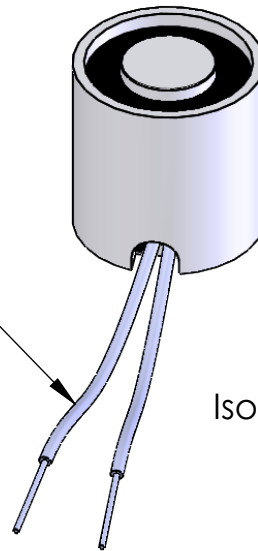
Voltage: 24 VDC
Duty Cycle: Continuous
Resistance: 510 ohms \pm 10% (@ 20c)
Amps @ rated Volts: 0.04
Watts @ rated Volts: 1.0
Holding: 2 lbs (1/4" Thick 1215 CRS @ 20c)
Operating Temp: -40c to 60c (range)

Additional Components

Screw: N/A
Spring: N/A
Spiral Pin: N/A
Potting: N/A

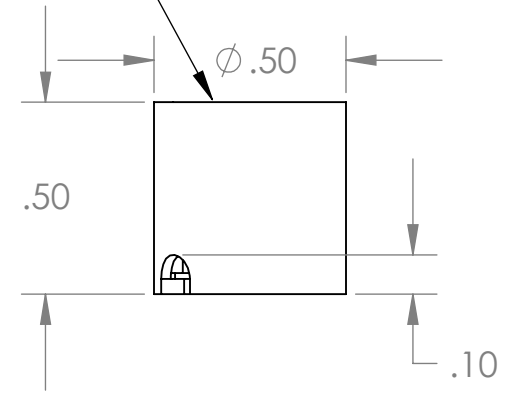
Finish: Housing - Zinc or Electroless Nickel Plating
 (0.0002-0.0003")

12" Long (2x)
 .5 Strip ends
 28 Ga. (7/36)
 Teflon Coated
 Lead Wires
 (Yellow)

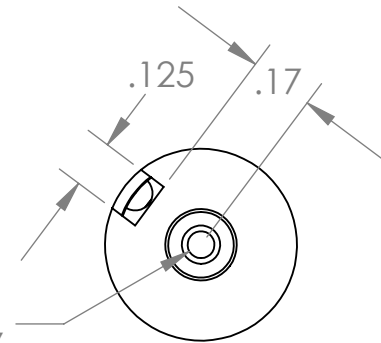


Isometric View

Center Post Recessed
 (.003-.005)
 Quick Release



ϕ .07 ∇ .26
 2-56 UNC ∇ .17



PROPRIETARY AND CONFIDENTIAL
 THE INFORMATION CONTAINED IN THIS DRAWING IS THE SOLE PROPERTY OF APW COMPANY. ANY REPRODUCTION IN PART OR AS A WHOLE WITHOUT THE WRITTEN PERMISSION OF APW COMPANY IS PROHIBITED.

		UNLESS OTHERWISE SPECIFIED:		NAME	DATE	APW COMPANY	
		DIMENSIONS ARE IN INCHES TOLERANCES: FRACTIONAL \pm .015 ANGULAR: MACH \pm 2 BEND \pm 2 TWO PLACE DECIMAL \pm .005 THREE PLACE DECIMAL \pm .003		DRAWN	D.P.		
		INTERPRET GEOMETRIC TOLERANCING PER: ANSI		CHECKED			TITLE:
		MATERIAL		ENG APPR.			P/N: EM050-24-122
		FINISH		MFG APPR.			
NEXT ASSY	USED ON			Q.A.			SIZE DWG. NO. REV
APPLICATION		DO NOT SCALE DRAWING		COMMENTS:			A 7058
							SCALE: 2:1 WEIGHT: SHEET 1 OF 1