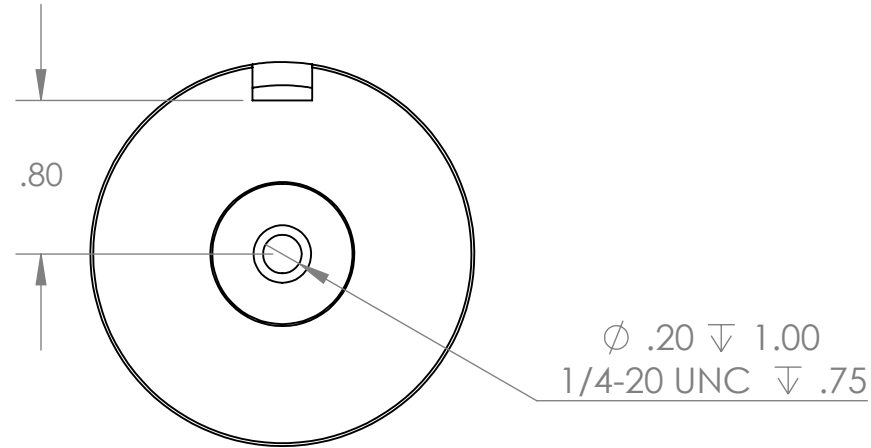
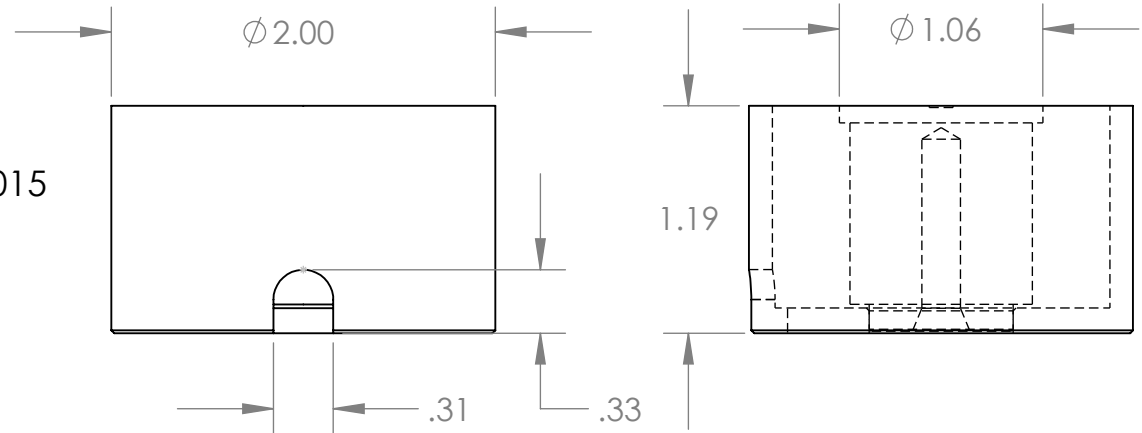


Isometric View



Electrical Specifications

Voltage: 24 VDC
Duty Cycle: Continuous
Resistance: 82 ohms $\pm 10\%$ (@ 20c)
Amps @ rated Volts: 0.29
Watts @ rated Volts: 7.02
Holding: 140 lbs (1/4" Thick 1215 CRS @ 20c)
Operating Temp: -40c to 60c (range)

Additional Components

Screw: N/A
Spring: N/A
Spiral Pin: N/A
Potting: United Resin Corp. (El-cast Black)
Finish: Housing - Zinc or Electroless Nickel Plating (0.0002-0.0003")

PROPRIETARY AND CONFIDENTIAL
 THE INFORMATION CONTAINED IN THIS DRAWING IS THE SOLE PROPERTY OF APW COMPANY. ANY REPRODUCTION IN PART OR AS A WHOLE WITHOUT THE WRITTEN PERMISSION OF APW COMPANY IS STRICTLY PROHIBITED.

Client	Client P/N	UNLESS OTHERWISE SPECIFIED: DIMENSIONS ARE IN INCHES TOLERANCES: FRACTIONAL $\pm .010$ ANGULAR: MACH \pm BEND \pm TWO PLACE DECIMAL $\pm .005$ THREE PLACE DECIMAL $\pm .003$ Break Sharp edges 0.002" unless otherwise noted MATERIAL FINISH	NAME	DATE	APW COMPANY			
			DRAWN	D.P.	01.16.24	TITLE:		
			CHECKED			P/N: EM200-24-212-A		
			ENG APPR.					
			MFG APPR.					
			Q.A.					
			COMMENTS:		SIZE	DWG. NO.	REV	
NEXT ASSY	USED ON				A	7035		
APPLICATION		DO NOT SCALE DRAWING		SCALE: 1:1	WEIGHT:	SHEET 1 OF 1		