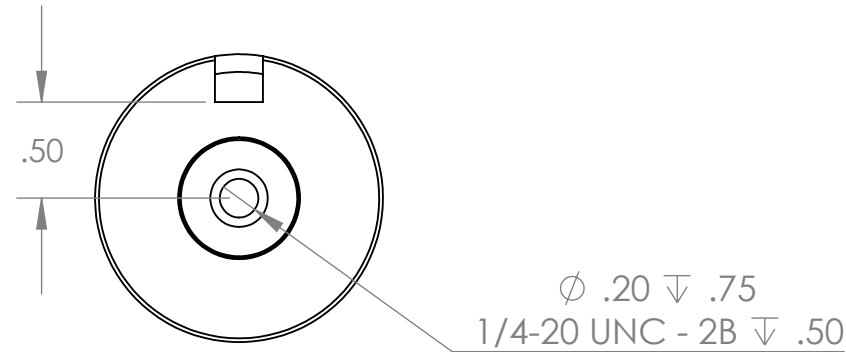
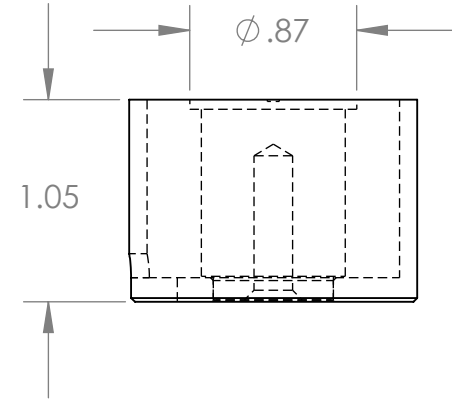
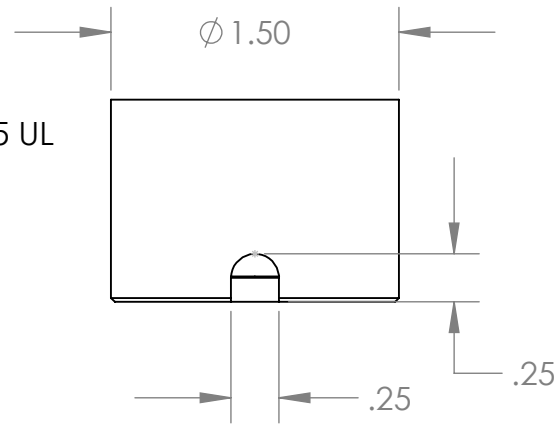


Isometric View

18" Long Leads
22 Ga. Type 1015 UL



Electrical Specifications

- Voltage:** 12 VDC
- Duty Cycle:** Continuous
- Resistance:** 24 ohms ± 10% (@ 20c)
- Amps @ rated Volts:** 0.5
- Watts @ rated Volts:** 6
- Holding:** 88 lbs (1/4" Thick 1215 CRS @ 20c)
- Operating Temp:** -40c to 60c (range)

Additional Components

- Screw:** N/A
- Spring:** N/A
- Spiral Pin:** N/A
- Potting:** N/A

Finish: Housing - Zinc or Electroless Nickel Plating (0.0002-0.0003")

PROPRIETARY AND CONFIDENTIAL
THE INFORMATION CONTAINED IN THIS DRAWING IS THE SOLE PROPERTY OF APW COMPANY. ANY REPRODUCTION IN PART OR AS A WHOLE WITHOUT THE WRITTEN PERMISSION OF APW COMPANY IS STRICTLY PROHIBITED.

Client	Client P/N	UNLESS OTHERWISE SPECIFIED:	NAME	DATE	APW COMPANY	
		DIMENSIONS ARE IN INCHES TOLERANCES: FRACTIONAL ± .010 ANGULAR: MACH ± BEND ± TWO PLACE DECIMAL ±.005 THREE PLACE DECIMAL ±.003	DRAWN	D.P.		
		Break Sharp edges 0.002" unless otherwise noted	CHECKED		TITLE:	
		MATERIAL	ENG APPR.		P/N: EM150-12-222-A	
		FINISH	MFG APPR.		SIZE DWG. NO. REV	
NEXT ASSY	USED ON	DO NOT SCALE DRAWING	Q.A.		A 7032	
APPLICATION			COMMENTS:		SCALE: 1:1	WEIGHT: SHEET 1 OF 1