

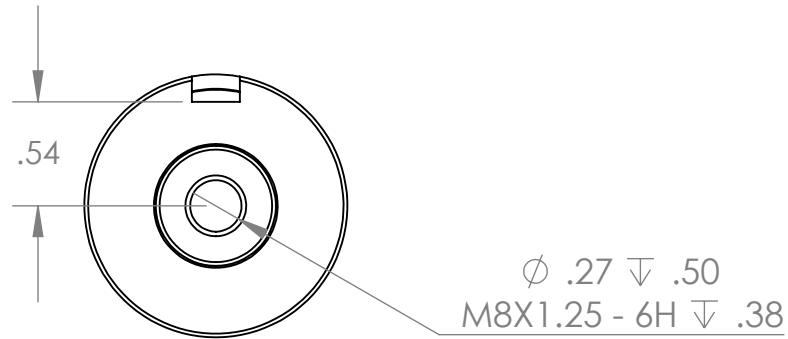
Electrical Specifications

Voltage: 24 VDC
Duty Cycle: Continuous
Resistance: 165 ohms \pm 10% (@ 20c)
Amps @ rated Volts: 0.15
Watts @ rated Volts: 3.5
Holding: 44 lbs (1/4" Thick 1215 CRS @ 20c)
Operating Temp: -40c to 60c (range)

Additional Components

Screw: N/A
Spring: N/A
Spiral Pin: N/A
Potting: United Resin Corp. (El-cast Black)

Finish: Housing - Zinc or Electroless Nickel Plating
 (0.0002-0.0003")



PROPRIETARY AND CONFIDENTIAL
 THE INFORMATION CONTAINED IN THIS DRAWING IS THE SOLE PROPERTY OF APW COMPANY. ANY REPRODUCTION IN PART OR AS A WHOLE WITHOUT THE WRITTEN PERMISSION OF APW COMPANY IS STRICTLY PROHIBITED.

Client	Client P/N	UNLESS OTHERWISE SPECIFIED:	NAME	DATE	APW COMPANY	
		DIMENSIONS ARE IN INCHES TOLERANCES: FRACTIONAL $\pm .010$ ANGULAR: MACH \pm BEND \pm TWO PLACE DECIMAL $\pm .005$ THREE PLACE DECIMAL $\pm .003$	DRAWN	D.P.	01.16.24	TITLE:
		Break Sharp edges 0.002" unless otherwise noted	CHECKED			P/N: EM137-24-212-B
		MATERIAL	ENG APPR.			SIZE DWG. NO. REV
NEXT ASSY	USED ON	FINISH	MFG APPR.			A 7029
APPLICATION		DO NOT SCALE DRAWING	Q.A.			SCALE: 1:1 WEIGHT: SHEET 1 OF 1
			COMMENTS:			