

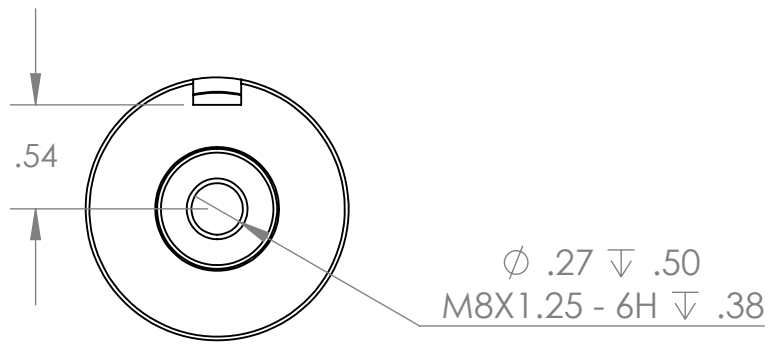
### Electrical Specifications

**Voltage:** 12 VDC  
**Duty Cycle:** Continuous  
**Resistance:** 42 ohms  $\pm$  10% (@ 20c)  
**Amps @ rated Volts:** 0.29  
**Watts @ rated Volts:** 3.43  
**Holding:** 44 lbs (1/4" Thick 1215 CRS @ 20c)  
**Operating Temp:** -40c to 60c (range)

### Additional Components

**Screw:** N/A  
**Spring:** N/A  
**Spiral Pin:** N/A  
**Potting:** N/A

**Finish:** Housing - Zinc or Electroless Nickel Plating (0.0002-0.0003")



**PROPRIETARY AND CONFIDENTIAL**  
 THE INFORMATION CONTAINED IN THIS DRAWING IS THE SOLE PROPERTY OF APW COMPANY. ANY REPRODUCTION IN PART OR AS A WHOLE WITHOUT THE WRITTEN PERMISSION OF APW COMPANY IS STRICTLY PROHIBITED.

Client	Client P/N	UNLESS OTHERWISE SPECIFIED:		NAME	DATE
		DIMENSIONS ARE IN INCHES		DRAWN	D.P.
		TOLERANCES:		CHECKED	01.16.24
		FRACTIONAL $\pm$ .010		ENG APPR.	
		ANGULAR: MACH $\pm$ BEND $\pm$		MFG APPR.	
		TWO PLACE DECIMAL $\pm$ .005		Q.A.	
		THREE PLACE DECIMAL $\pm$ .003		COMMENTS:	
		Break Sharp edges 0.002" unless otherwise noted			
		MATERIAL			
NEXT ASSY	USED ON	FINISH			
APPLICATION		DO NOT SCALE DRAWING			

<b>APW COMPANY</b>		
TITLE:		
P/N: EM137-12-222-B		
SIZE	DWG. NO.	REV
<b>A</b>	<b>7028</b>	
SCALE: 1:1	WEIGHT:	SHEET 1 OF 1