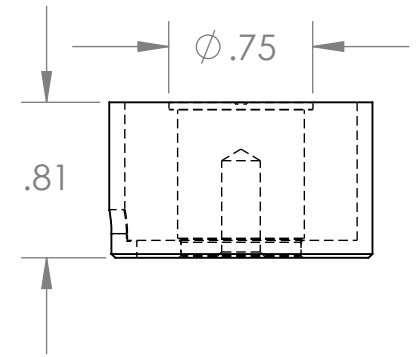
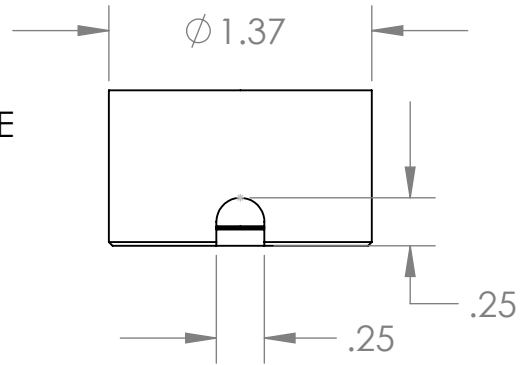


Isometric View

18" Long Leads
22 Ga. Teflon Type E



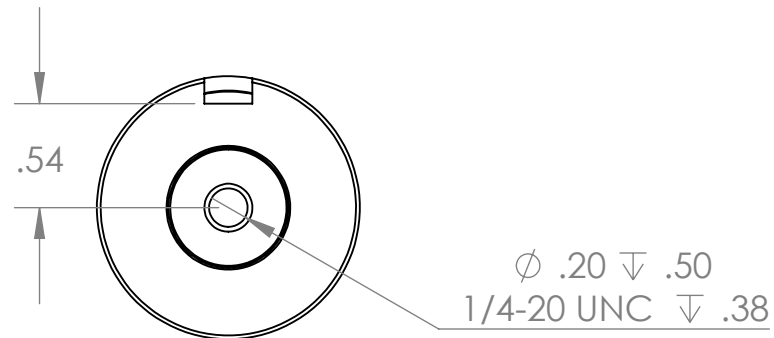
Electrical Specifications

- Voltage:** 12 VDC
- Duty Cycle:** Continuous
- Resistance:** 42 ohms \pm 10% (@ 20c)
- Amps @ rated Volts:** 0.29
- Watts @ rated Volts:** 3.43
- Holding:** 44 lbs (1/4" Thick 1215 CRS @ 20c)
- Operating Temp:** -40c to 60c (range)

Additional Components

- Screw:** N/A
- Spring:** N/A
- Spiral Pin:** N/A
- Potting:** N/A

Finish: Housing - Zinc or Electroless Nickel Plating (0.0002-0.0003")



PROPRIETARY AND CONFIDENTIAL
THE INFORMATION CONTAINED IN THIS DRAWING IS THE SOLE PROPERTY OF APW COMPANY. ANY REPRODUCTION IN PART OR AS A WHOLE WITHOUT THE WRITTEN PERMISSION OF APW COMPANY IS STRICTLY PROHIBITED.

Client	Client P/N	UNLESS OTHERWISE SPECIFIED:	NAME	DATE	APW COMPANY	
		DIMENSIONS ARE IN INCHES TOLERANCES: FRACTIONAL $\pm .010$ ANGULAR: MACH \pm BEND \pm TWO PLACE DECIMAL $\pm .005$ THREE PLACE DECIMAL $\pm .003$	DRAWN	D.P.		
		Break Sharp edges 0.002" unless otherwise noted	CHECKED			P/N: EM137-12-222-A
		MATERIAL	ENG APPR.			
		FINISH	MFG APPR.			SIZE DWG. NO. REV
NEXT ASSY	USED ON		Q.A.			A 7024
APPLICATION		DO NOT SCALE DRAWING	COMMENTS:			SCALE: 1:1 WEIGHT: SHEET 1 OF 1