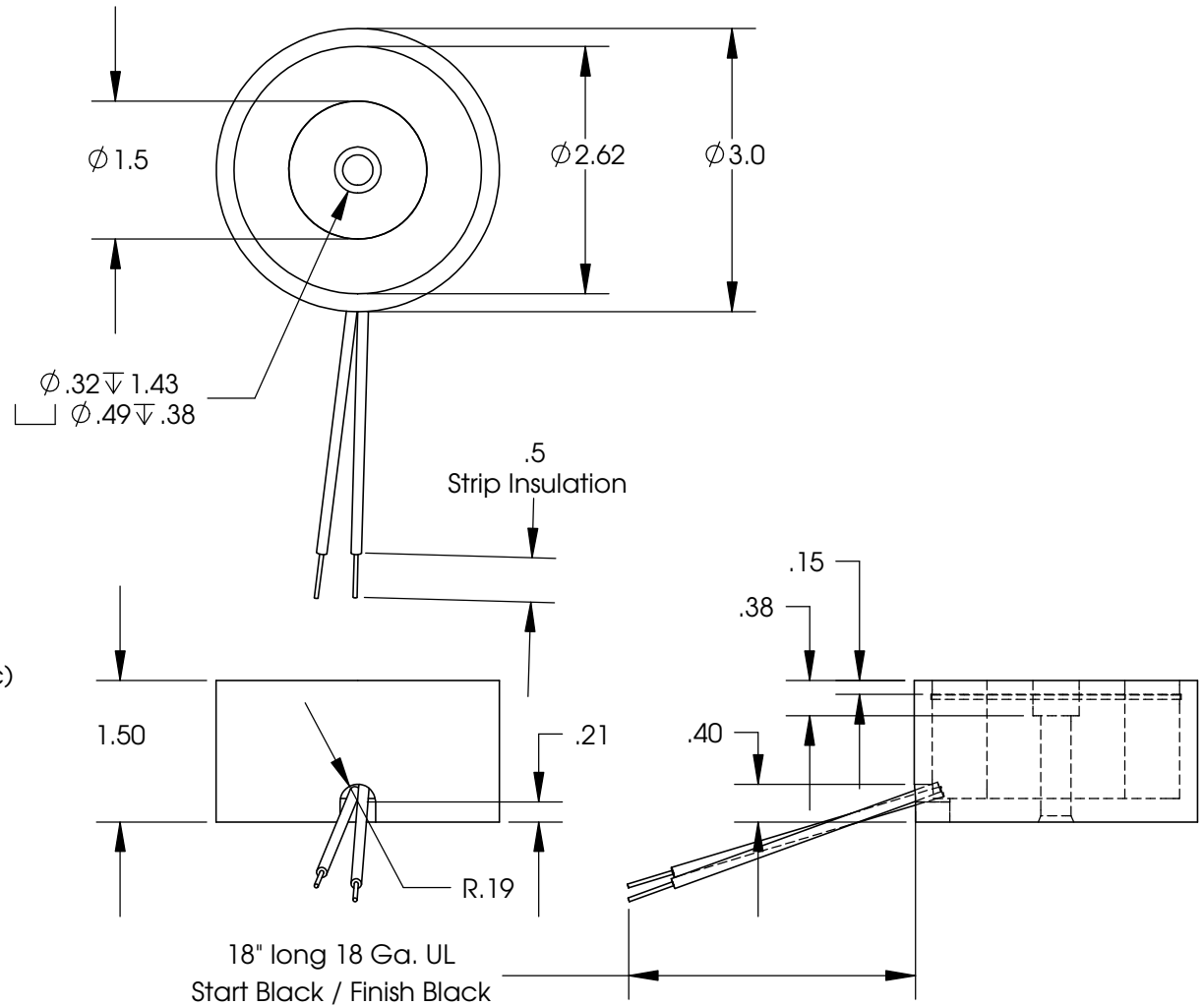


Isometric View



Electrical Specifications

- Voltage:** 12 vdc
- Duty Cycle:** Continuous
- Resistance:** 10.5 ohms ± 10% (@ 20c)
- Amps @ 12 vdc:** 1.2
- Watts @ 12 vdc:** 15
- Holding:** 400 lbs (1/4" Thick 1215 CRS @ 20c)
- Operating Temp:** -40c to 50c (range)
- Note:**

Additional Components

- Screw:** 5/16-18 x 1 1/4 Long (Soc. Head Cap Screw)
- Spring:** N/A
- Spiral Pin:** N/A
- Potting:** N/A
- Rectified:** N/A
- RoHS:** On Request

Finish: Housing - Zinc or Electroless Nickel Plating (0.0002-0.0003")

18" long 18 Ga. UL
Start Black / Finish Black

PROPRIETARY AND CONFIDENTIAL
THE INFORMATION CONTAINED IN THIS DRAWING IS THE SOLE PROPERTY OF APW COMPANY INCORPORATED. ANY REPRODUCTION IN PART OR AS A WHOLE WITHOUT THE WRITTEN PERMISSION OF APW COMPANY INCORPORATED IS STRICTLY PROHIBITED.

Client	Client P/N	UNLESS OTHERWISE SPECIFIED:	NAME	DATE
Stearns Products	10045360023	DIMENSIONS ARE IN INCHES TOLERANCES: FRACTIONAL ± .010 ANGULAR: MACH ± BEND ± TWO PLACE DECIMAL ±.010 THREE PLACE DECIMAL ±.005	DRAWN CHECKED ENG APPR. MFG APPR.	J.K. A.P.
		Break Sharp edges 0.005" unless otherwise noted	Q.A.	
		MATERIAL	COMMENTS: Not for manufacturing	
NEXT ASSY	USED ON	FINISH		
APPLICATION		DO NOT SCALE DRAWING		

APW COMPANY INC.		
TITLE: EM300-12-222		
SIZE A	DWG. NO. 6286	REV
SCALE: 1:2	WEIGHT:	SHEET 1 OF 1