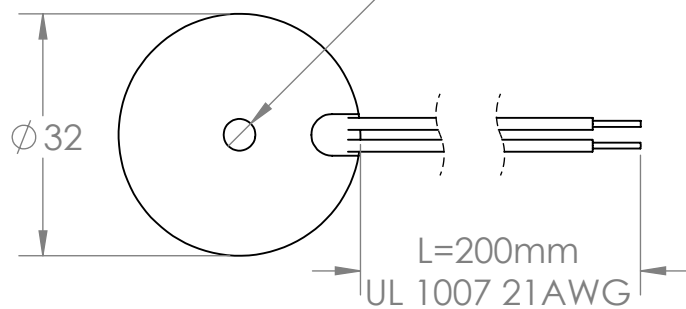


M5X0.8  $\nabla$  20



### Electrical Specifications

**Voltage:** 12 VDC  
**Duty Cycle:** 10%  
**Resistance:** 10 ohms  $\pm$  10% (@ 20c)  
**Amps @ rated Volts:** 1.2  
**Watts @ rated Volts:** 14.4  
**Holding:** 40 lbs (1/4" Thick 1215 CRS @ 20c)  
**Operating Temp:** -40c to 60c (range)  
**Lead Wire Positive:** Red  
**Lead Wire Negative:** Blue

UNLESS OTHERWISE SPECIFIED:		NAME	DATE	<b>APW COMPANY</b>	
DIMENSIONS ARE IN MM		DRAWN	DP		
TWO PLACE DECIMAL $\pm$ .25		CHECKED			TITLE: <b>EML32mm-12</b>
THREE PLACE DECIMAL $\pm$ .13		ENG APPR.			
Break Sharp edges 0.05 unless otherwise noted		MFG APPR.			
MATERIAL		Q.A.			
FINISH		COMMENTS:			SIZE
DO NOT SCALE DRAWING					DWG. NO.
					<b>A</b>
					<b>6667</b>
					REV
					SCALE: 1:1
					WEIGHT:
					SHEET 1 OF 1

**PROPRIETARY AND CONFIDENTIAL**

THE INFORMATION CONTAINED IN THIS DRAWING IS THE SOLE PROPERTY OF APW COMPANY. ANY REPRODUCTION IN PART OR AS A WHOLE WITHOUT THE WRITTEN PERMISSION OF APW COMPANY IS STRICTLY PROHIBITED.