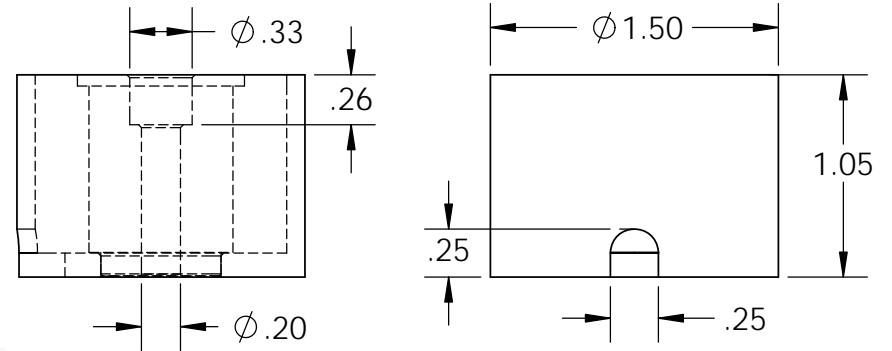


Electrical Specifications

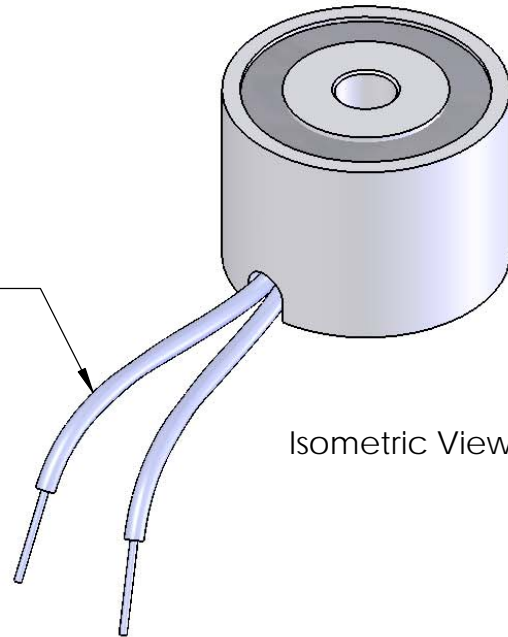
Voltage: 12 VDC
Duty Cycle: Continuous
Resistance: 24 ohms \pm 10% (@ 20c)
Amps @ rated Volts: 0.50
Watts @ rated Volts: 6.0
Holding: 88 lbs (1/4" Thick 1215 CRS @ 20c)
Operating Temp: -40c to 150c (range)

Additional Components

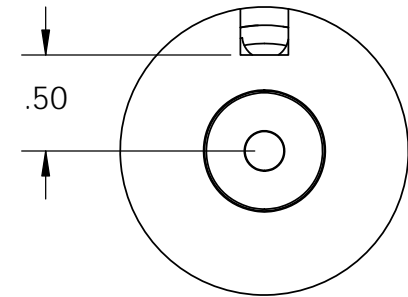
Screw: 10-32 x 1 1/4" Long (Hex Socket Head Cap) w/Nylok
Spring: N/A
Spiral Pin: N/A
Potting: Duralco™ 4525 500F rated
Finish: Electroless Nickel Plating (0.0002-0.0003")



18" Long Leads
 22 GA TEFLON 7/30 BLACK
 MIL-W-16878/4



Isometric View



PROPRIETARY AND CONFIDENTIAL
 THE INFORMATION CONTAINED IN THIS DRAWING IS THE SOLE PROPERTY OF APW COMPANY. ANY REPRODUCTION IN PART OR AS A WHOLE WITHOUT THE WRITTEN PERMISSION OF APW COMPANY IS PROHIBITED.

		UNLESS OTHERWISE SPECIFIED:		NAME	DATE	APW COMPANY	
		DIMENSIONS ARE IN INCHES TOLERANCES: FRACTIONAL \pm .015 ANGULAR: MACH \pm 2 BEND \pm 2 TWO PLACE DECIMAL \pm .005 THREE PLACE DECIMAL \pm .003	DRAWN	K.H.	06.26.13		
		INTERPRET GEOMETRIC TOLERANCING PER: ANSI	CHECKED	J.K.	06.26.13	SIZE DWG. NO. REV A 6600	
		MATERIAL	ENG APPR.	J.K.	06.26.13		
		FINISH	MFG APPR.	J.K.	06.26.13		
NEXT ASSY	USED ON		Q.A.				
APPLICATION		DO NOT SCALE DRAWING	COMMENTS:				