

Electrical Specifications

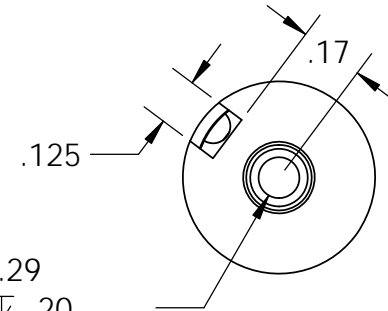
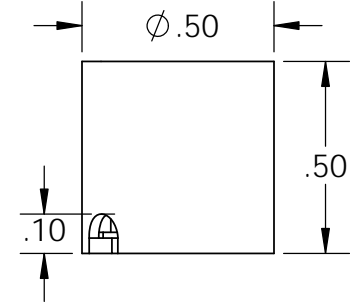
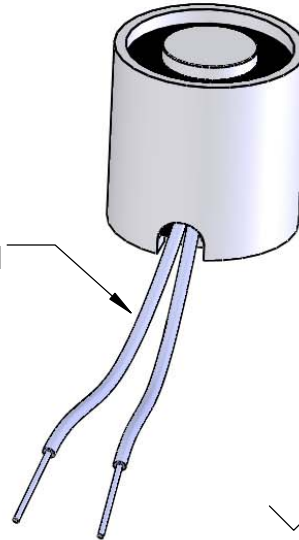
Voltage: 3 VDC
Duty Cycle: Continuous
Resistance: 9 ohms \pm 10% (@ 20c)
Amps @ rated Volts: 0.33
Watts @ rated Volts: 1.0
Holding: 2 lbs (1/4" Thick 1215 CRS @ 20c)
Operating Temp: -40c to 60c (range)

Additional Components

Screw: N/A
Spring: N/A
Spiral Pin: N/A
Potting: N/A

Finish: Housing - Zinc or Electroless Nickel Plating
 (0.0002-0.0003")

12" Long (2x)
 .5 Strip ends
 28 ga. (7/36)
 Teflon Coated
 Lead Wires
 (Yellow)



ϕ .11 ∇ .29
 6-32 UNC ∇ .20
 \checkmark ϕ .15 X 90°, NEAR SIDE

PROPRIETARY AND CONFIDENTIAL
 THE INFORMATION CONTAINED IN THIS DRAWING IS THE SOLE PROPERTY OF APW COMPANY. ANY REPRODUCTION IN PART OR AS A WHOLE WITHOUT THE WRITTEN PERMISSION OF APW COMPANY IS PROHIBITED.

		UNLESS OTHERWISE SPECIFIED:		NAME	DATE	APW COMPANY	
		DIMENSIONS ARE IN INCHES TOLERANCES: FRACTIONAL \pm .015 ANGULAR: MACH \pm 2 BEND \pm 2 TWO PLACE DECIMAL \pm .005 THREE PLACE DECIMAL \pm .003		DRAWN	K.H.		
		INTERPRET GEOMETRIC TOLERANCING PER: ANSI		CHECKED	J.K.	07.08.11	TITLE: EM050-3-222-A
		MATERIAL		ENG APPR.	J.K.	07.08.11	
		FINISH		MFG APPR.	J.K.	07.08.11	
NEXT ASSY		USED ON		Q.A.			
APPLICATION		DO NOT SCALE DRAWING		COMMENTS:			
				SIZE	DWG. NO.	REV	
				A	6515		
				SCALE: 2:1	WEIGHT:	SHEET 1 OF 1	