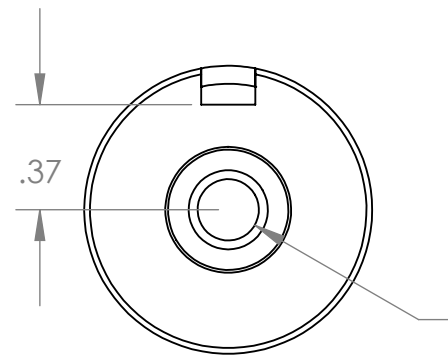
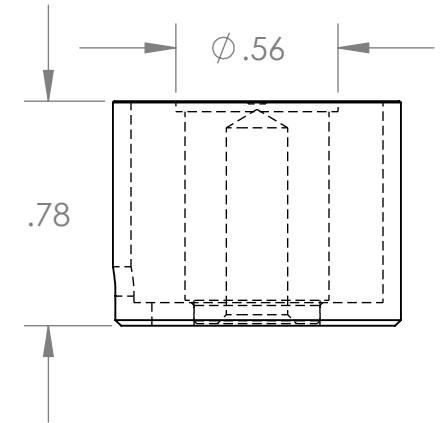
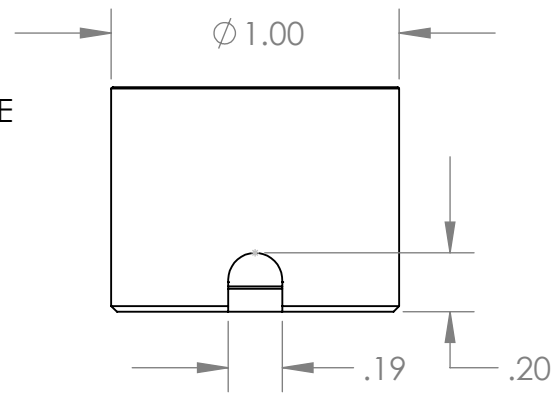


Isometric View

18" Long Leads  
22 Ga. Teflon Type E



$\phi$  .21  $\nabla$  .68  
1/4-28 UNF - 2B  $\nabla$  .50

**Electrical Specifications**

- Voltage:** 24 VDC
- Duty Cycle:** Continuous
- Resistance:** 140 ohms  $\pm$  10% (@ 20c)
- Amps @ rated Volts:** 0.17
- Watts @ rated Volts:** 4.0
- Holding:** 25 lbs (1/4" Thick 1215 CRS @ 20c)
- Operating Temp:** -40c to 60c (range)

**Additional Components**

- Screw:** N/A
- Spring:** N/A
- Spiral Pin:** N/A
- Potting:** N/A

**Finish:** Housing - Zinc or Electroless Nickel Plating (0.0002-0.0003")

**PROPRIETARY AND CONFIDENTIAL**  
THE INFORMATION CONTAINED IN THIS DRAWING IS THE SOLE PROPERTY OF APW COMPANY. ANY REPRODUCTION IN PART OR AS A WHOLE WITHOUT THE WRITTEN PERMISSION OF APW COMPANY IS STRICTLY PROHIBITED.

		UNLESS OTHERWISE SPECIFIED:	NAME	DATE
		DIMENSIONS ARE IN INCHES	DRAWN	D.P. 01.08.2024
		TOLERANCES:	CHECKED	
		FRACTIONAL $\pm$ .010	ENG APPR.	
		ANGULAR: MACH $\pm$ BEND $\pm$	MFG APPR.	
		TWO PLACE DECIMAL $\pm$ .005	Q.A.	
		THREE PLACE DECIMAL $\pm$ .003	COMMENTS:	
		Break Sharp edges 0.002" unless otherwise noted		
		MATERIAL		
		FINISH		
NEXT ASSY	USED ON			
APPLICATION		DO NOT SCALE DRAWING		

**APW COMPANY**

TITLE:  
P/N: EM100-24-222-A

SIZE **A** DWG. NO. **6511** REV

SCALE: 3:2 WEIGHT: SHEET 1 OF 1