

## Electrical Specifications

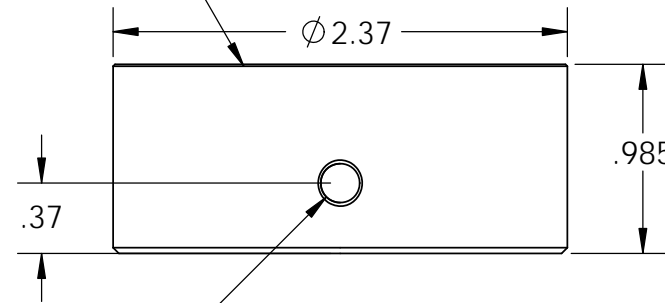
**Voltage:** 115 VAC  
**Duty Cycle:** Continuous  
**Resistance:** 35 ohms  $\pm$  10% (@ 20c)  
**Amps @ rated Volts:** 0.05  
**Watts @ rated Volts:** 5.5  
**Holding:** 170 lbs (1/4" Thick 1215 CRS @ 20c)  
**Operating Temp:** -40c to 60c (range)

## Additional Components

**Screw:** N/A  
**Spring:** N/A  
**Spiral Pin:** N/A  
**Potting:** United Resin Corp. (EI-cast Black)

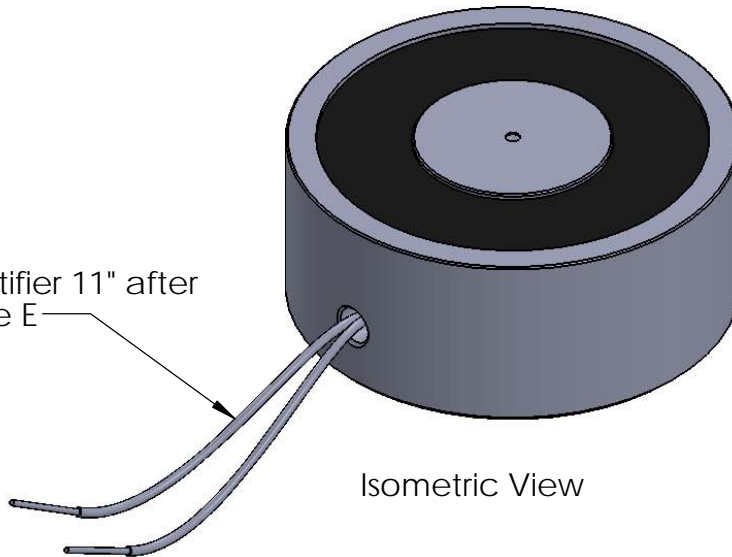
**Finish:** Housing - Zinc or Electroless Nickel Plating  
 (0.0002-0.0003")

Center Post Recessed  
 (.003-.005)  
 Quick Release

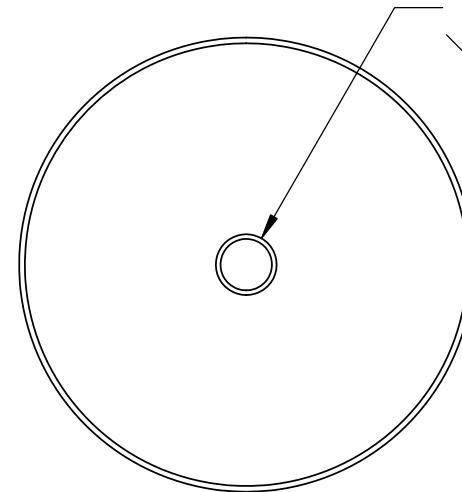


$\phi .27 \nabla .55$   
 M8X1.25 - 6H  $\nabla .40$   
 $\phi .32 \times 90^\circ$ , NEAR SIDE

8" from coil to rectifier 11" after  
 22 Ga. Teflon Type E



Isometric View



**PROPRIETARY AND CONFIDENTIAL**  
 THE INFORMATION CONTAINED IN THIS DRAWING IS THE SOLE PROPERTY OF APW COMPANY. ANY REPRODUCTION IN PART OR AS A WHOLE WITHOUT THE WRITTEN PERMISSION OF APW COMPANY IS PROHIBITED.

		UNLESS OTHERWISE SPECIFIED:	NAME	DATE
		DIMENSIONS ARE IN INCHES TOLERANCES: FRACTIONAL $\pm .015$ ANGULAR: MACH $\pm 2$ BEND $\pm 2$ TWO PLACE DECIMAL $\pm .005$ THREE PLACE DECIMAL $\pm .003$	DRAWN	K.H. 06.27.11
			CHECKED	J.K. 06.27.11
			ENG APPR.	J.K. 06.27.11
			MFG APPR.	J.K. 06.27.11
		INTERPRET GEOMETRIC TOLERANCING PER: ANSI	Q.A.	
		MATERIAL	COMMENTS:	
		FINISH		
NEXT ASSY	USED ON			
APPLICATION		DO NOT SCALE DRAWING		

**APW COMPANY**

TITLE:  
 P/N: EM237-115ac-112

SIZE <b>A</b>	DWG. NO. <b>6500</b>	REV
SCALE: 1:2	WEIGHT:	SHEET 1 OF 1