

## Electrical Specifications

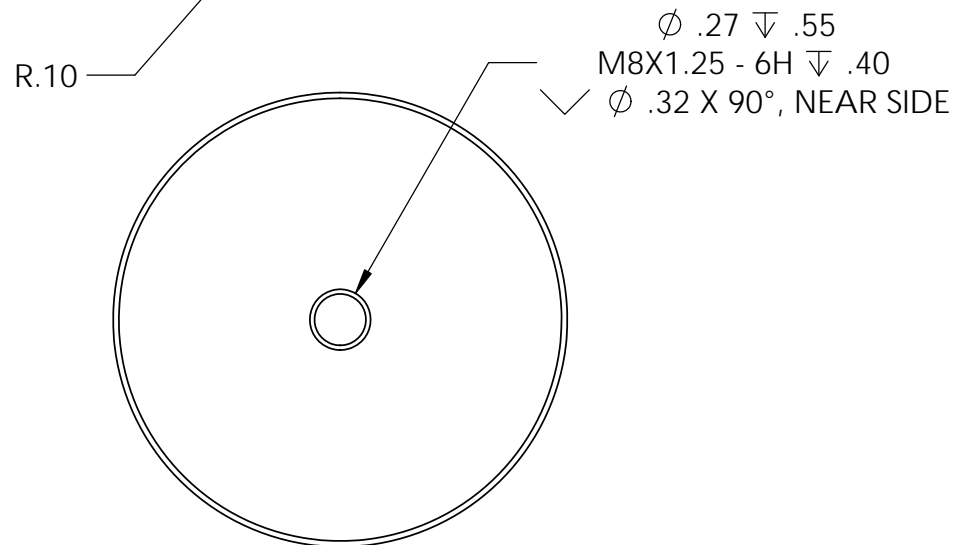
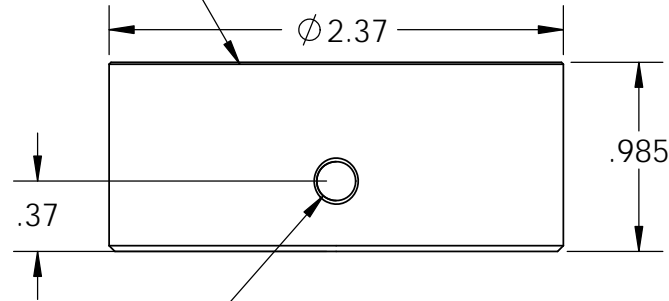
**Voltage:** 24 VDC  
**Duty Cycle:** Continuous  
**Resistance:** 100 ohms  $\pm$  10% (@ 20c)  
**Amps @ rated Volts:** 0.23  
**Watts @ rated Volts:** 5.5  
**Holding:** 170 lbs (1/4" Thick 1215 CRS @ 20c)  
**Operating Temp:** -40c to 60c (range)

## Additional Components

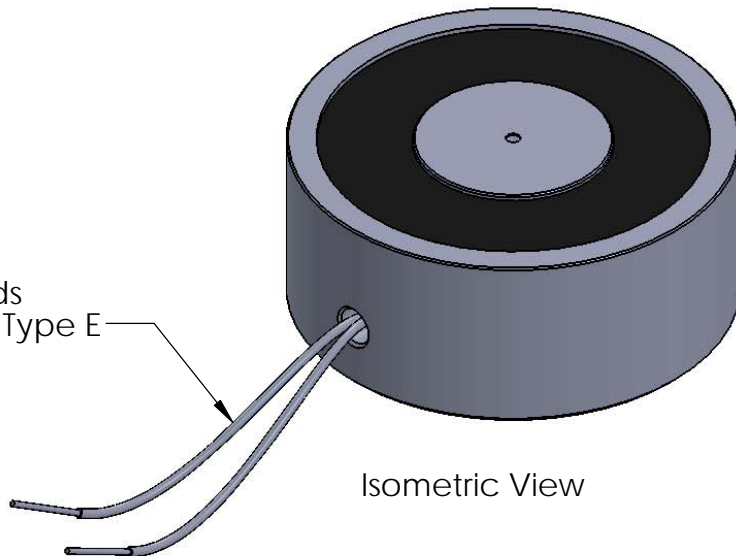
**Screw:** N/A  
**Spring:** N/A  
**Spiral Pin:** N/A  
**Potting:** United Resin Corp. (El-cast Black)

**Finish:** Housing - Zinc or Electroless Nickel Plating  
 (0.0002-0.0003")

Center Post Recessed  
 (.003-.005)  
 Quick Release



18" Long Leads  
 22 Ga. Teflon Type E



Isometric View

**PROPRIETARY AND CONFIDENTIAL**  
 THE INFORMATION CONTAINED IN THIS DRAWING IS THE SOLE PROPERTY OF APW COMPANY. ANY REPRODUCTION IN PART OR AS A WHOLE WITHOUT THE WRITTEN PERMISSION OF APW COMPANY IS PROHIBITED.

		UNLESS OTHERWISE SPECIFIED:	NAME	DATE
		DIMENSIONS ARE IN INCHES TOLERANCES: FRACTIONAL $\pm$ .015 ANGULAR: MACH $\pm$ 2 BEND $\pm$ 2 TWO PLACE DECIMAL $\pm$ .005 THREE PLACE DECIMAL $\pm$ .003	DRAWN	K.H. 06.27.11
			CHECKED	J.K. 06.27.11
			ENG APPR.	J.K. 06.27.11
			MFG APPR.	J.K. 06.27.11
		INTERPRET GEOMETRIC TOLERANCING PER: ANSI	Q.A.	
		MATERIAL	COMMENTS:	
		FINISH		
NEXT ASSY	USED ON			
APPLICATION		DO NOT SCALE DRAWING		

**APW COMPANY**

TITLE:  
 P/N: EM237-24-112

SIZE <b>A</b>	DWG. NO. <b>6499</b>	REV
SCALE: 1:2	WEIGHT:	SHEET 1 OF 1