

Electrical Specifications

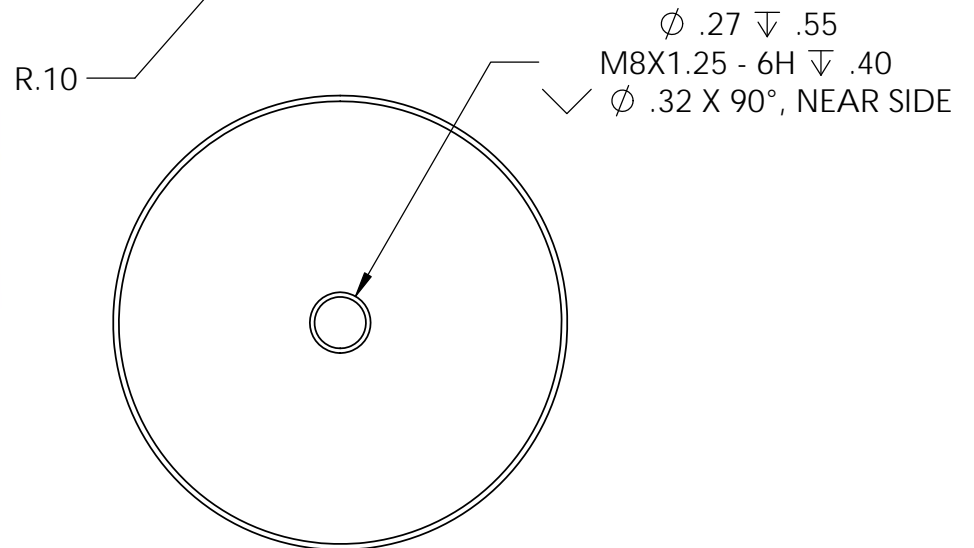
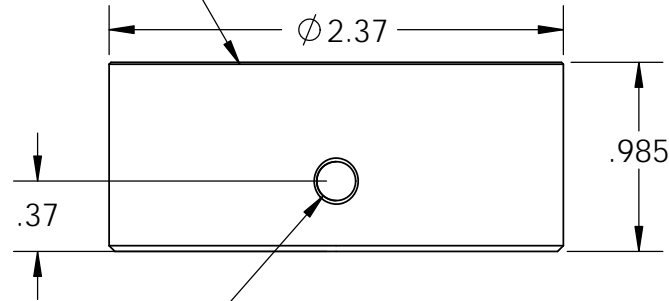
Voltage: 6 VDC
Duty Cycle: Continuous
Resistance: ohms \pm 10% (@ 20c)
Amps @ rated Volts: 0.92
Watts @ rated Volts: 5.5
Holding: 170 lbs (1/4" Thick 1215 CRS @ 20c)
Operating Temp: -40c to 60c (range)

Additional Components

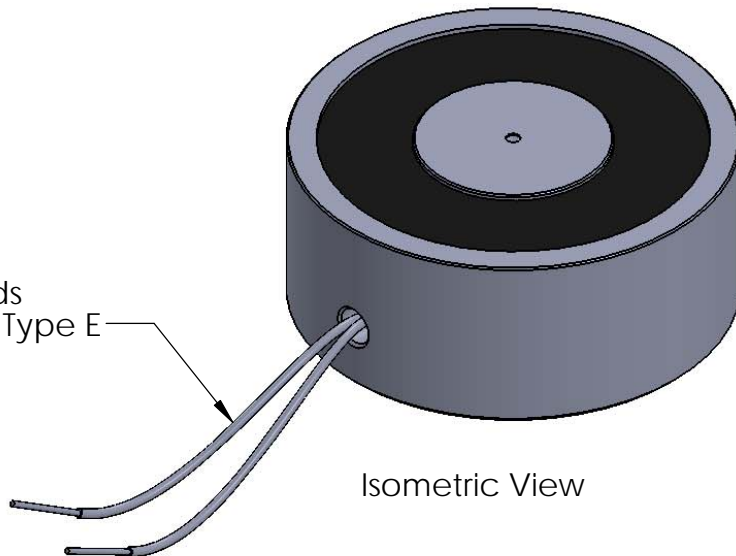
Screw: N/A
Spring: N/A
Spiral Pin: N/A
Potting: United Resin Corp. (El-cast Black)

Finish: Housing - Zinc or Electroless Nickel Plating
 (0.0002-0.0003")

Center Post Recessed
 (.003-.005)
 Quick Release



18" Long Leads
 22 Ga. Teflon Type E



Isometric View

		UNLESS OTHERWISE SPECIFIED:		NAME	DATE	APW COMPANY	
		DIMENSIONS ARE IN INCHES TOLERANCES: FRACTIONAL \pm .015 ANGULAR: MACH \pm 2 BEND \pm 2 TWO PLACE DECIMAL \pm .005 THREE PLACE DECIMAL \pm .003		DRAWN	K.H.		
				CHECKED	J.K.	06.27.11	TITLE: P/N: EM237-6-112
				ENG APPR.	J.K.	06.27.11	
				MFG APPR.	J.K.	06.27.11	
		INTERPRET GEOMETRIC TOLERANCING PER: ANSI		Q.A.			SIZE DWG. NO. REV
		MATERIAL		COMMENTS:			
NEXT ASSY		USED ON					A 6497
APPLICATION		DO NOT SCALE DRAWING					
				SCALE: 1:2		WEIGHT:	SHEET 1 OF 1

PROPRIETARY AND CONFIDENTIAL
 THE INFORMATION CONTAINED IN THIS DRAWING IS THE SOLE PROPERTY OF APW COMPANY. ANY REPRODUCTION IN PART OR AS A WHOLE WITHOUT THE WRITTEN PERMISSION OF APW COMPANY IS PROHIBITED.