

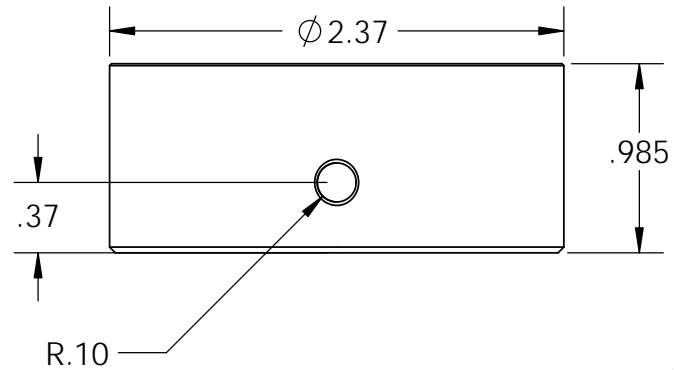
Electrical Specifications

Voltage: 115 VAC
Duty Cycle: Continuous
Resistance: 35 ohms \pm 10% (@ 20c)
Amps @ rated Volts: 0.05
Watts @ rated Volts: 5.5
Holding: 190 lbs (1/4" Thick 1215 CRS @ 20c)
Operating Temp: -40c to 60c (range)

Additional Components

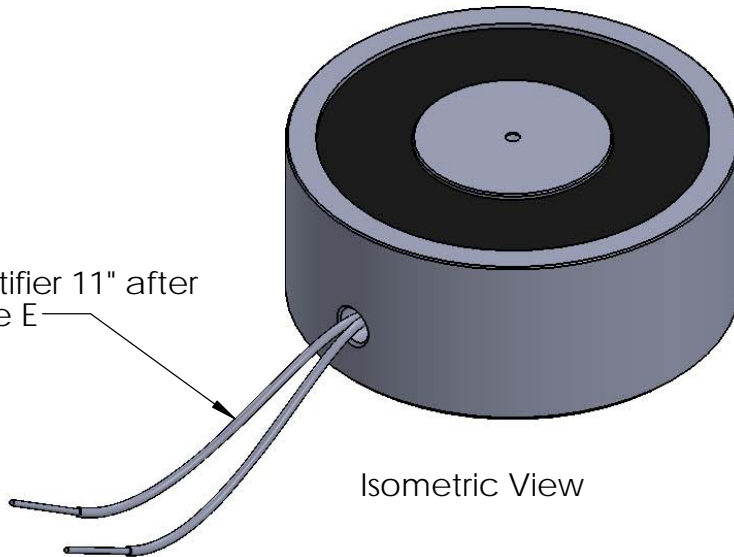
Screw: N/A
Spring: N/A
Spiral Pin: N/A
Potting: United Resin Corp. (EI-cast Black)

Finish: Housing - Zinc or Electroless Nickel Plating
 (0.0002-0.0003")

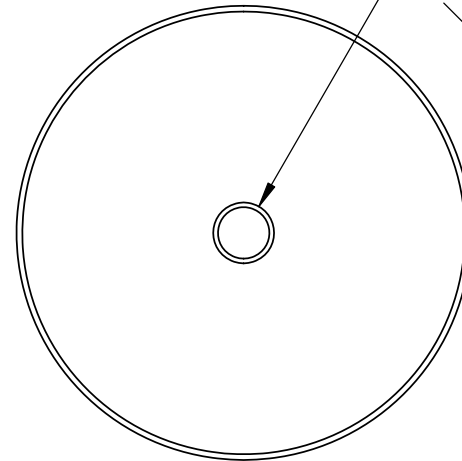


ϕ .27 ∇ .55
 M8X1.25 - 6H ∇ .40
 ϕ .32 X 90°, NEAR SIDE

8" from coil to rectifier 11" after
22 Ga. Teflon Type E



Isometric View



PROPRIETARY AND CONFIDENTIAL
 THE INFORMATION CONTAINED IN THIS DRAWING IS THE SOLE PROPERTY OF APW COMPANY. ANY REPRODUCTION IN PART OR AS A WHOLE WITHOUT THE WRITTEN PERMISSION OF APW COMPANY IS PROHIBITED.

		UNLESS OTHERWISE SPECIFIED:	NAME	DATE
		DIMENSIONS ARE IN INCHES TOLERANCES: FRACTIONAL \pm .015 ANGULAR: MACH \pm 2 BEND \pm 2 TWO PLACE DECIMAL \pm .005 THREE PLACE DECIMAL \pm .003	DRAWN	K.H. 06.27.11
			CHECKED	J.K. 06.27.11
			ENG APPR.	J.K. 06.27.11
			MFG APPR.	J.K. 06.27.11
		INTERPRET GEOMETRIC TOLERANCING PER: ANSI	Q.A.	
		MATERIAL	COMMENTS:	
		FINISH		
NEXT ASSY	USED ON			
APPLICATION		DO NOT SCALE DRAWING		

APW COMPANY

TITLE:

P/N: EM237-115ac-212

SIZE A	DWG. NO. 6490	REV
------------------	-------------------------	-----

SCALE: 1:2	WEIGHT:	SHEET 1 OF 1
------------	---------	--------------