

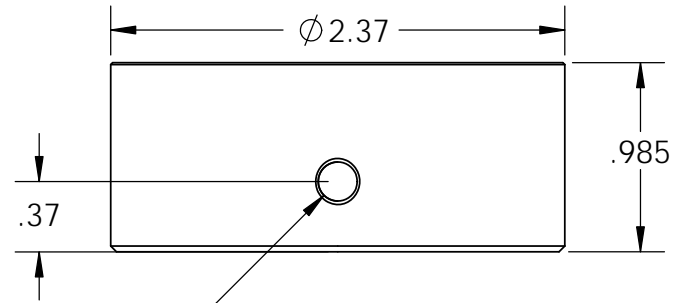
Electrical Specifications

Voltage: 24 VDC
Duty Cycle: Continuous
Resistance: 100 ohms \pm 10% (@ 20c)
Amps @ rated Volts: 0.23
Watts @ rated Volts: 5.5
Holding: 190 lbs (1/4" Thick 1215 CRS @ 20c)
Operating Temp: -40c to 60c (range)

Additional Components

Screw: N/A
Spring: N/A
Spiral Pin: N/A
Potting: United Resin Corp. (El-cast Black)

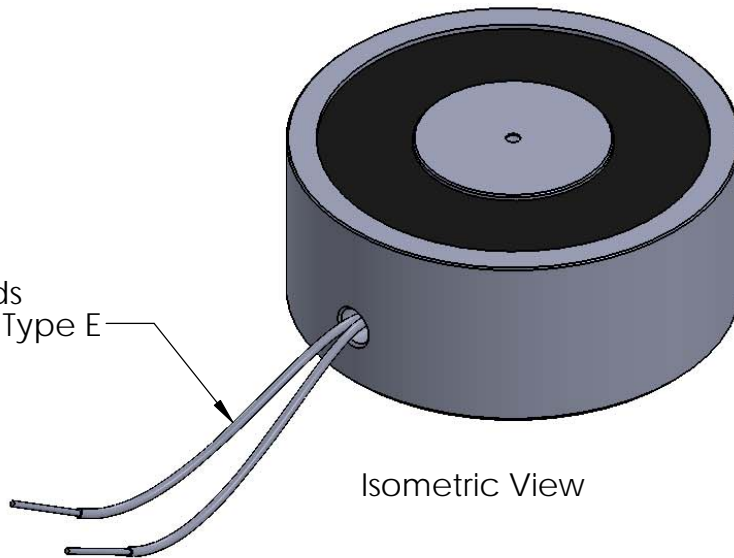
Finish: Housing - Zinc or Electroless Nickel Plating
 (0.0002-0.0003")



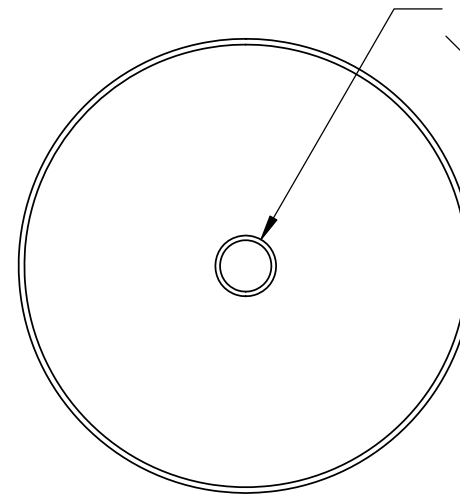
R.10

ϕ .27 ∇ .55
 M8X1.25 - 6H ∇ .40
 ϕ .32 X 90°, NEAR SIDE

18" Long Leads
 22 Ga. Teflon Type E



Isometric View



PROPRIETARY AND CONFIDENTIAL
 THE INFORMATION CONTAINED IN THIS DRAWING IS THE SOLE PROPERTY OF APW COMPANY. ANY REPRODUCTION IN PART OR AS A WHOLE WITHOUT THE WRITTEN PERMISSION OF APW COMPANY IS PROHIBITED.

		UNLESS OTHERWISE SPECIFIED:		NAME	DATE	APW COMPANY	
		DIMENSIONS ARE IN INCHES TOLERANCES: FRACTIONAL \pm .015 ANGULAR: MACH \pm 2 BEND \pm 2 TWO PLACE DECIMAL \pm .005 THREE PLACE DECIMAL \pm .003		DRAWN	K.H.		
		INTERPRET GEOMETRIC TOLERANCING PER: ANSI		CHECKED	J.K.	06.27.11	TITLE: P/N: EM237-24-212
		MATERIAL		ENG APPR.	J.K.	06.27.11	
		FINISH		MFG APPR.	J.K.	06.27.11	
NEXT ASSY		USED ON		Q.A.			
APPLICATION		DO NOT SCALE DRAWING		COMMENTS:			
				SIZE	DWG. NO.	REV	
				A	6489		
				SCALE: 1:2	WEIGHT:	SHEET 1 OF 1	