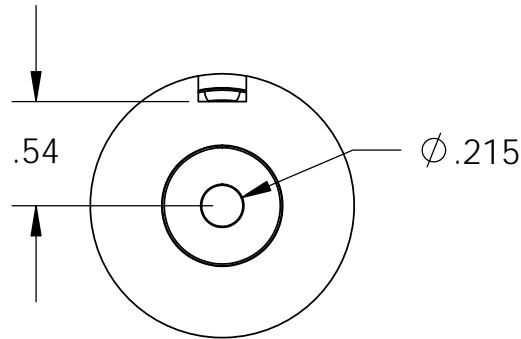
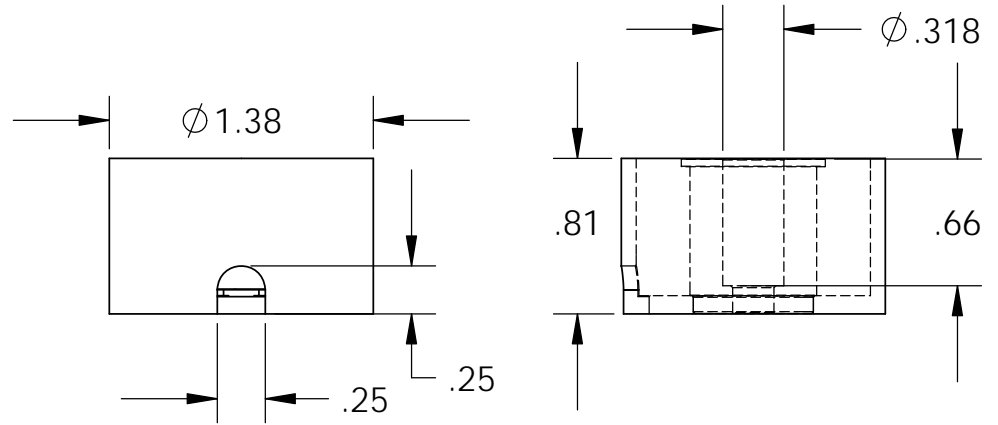


Isometric View



Electrical Specifications

- Voltage:** 9 VDC
- Duty Cycle:** Continuous
- Resistance:** 20 ohms \pm 10% (@ 20c)
- Amps @ rated Volts:** 0.45
- Watts @ rated Volts:** 4.05
- Holding:** 44 lbs (1/4" Thick 1215 CRS @ 20c)
- Operating Temp:** -40c to 60c (range)

Additional Components

- Screw:** 10-32 x 13/16" Long (Hex Socket Head Cap) w/Nylok
- Spring:** N/A
- Spiral Pin:** N/A
- Potting:** N/A

Finish: Housing - Zinc or Electroless Nickel Plating (0.0002-0.0003")

PROPRIETARY AND CONFIDENTIAL
THE INFORMATION CONTAINED IN THIS DRAWING IS THE SOLE PROPERTY OF APW COMPANY. ANY REPRODUCTION IN PART OR AS A WHOLE WITHOUT THE WRITTEN PERMISSION OF APW COMPANY IS PROHIBITED.

		UNLESS OTHERWISE SPECIFIED:	NAME	DATE
		DIMENSIONS ARE IN INCHES TOLERANCES: FRACTIONAL \pm .015 ANGULAR: MACH \pm 2 BEND \pm 2 TWO PLACE DECIMAL \pm .005 THREE PLACE DECIMAL \pm .003	DRAWN	K.H. 07.20.11
			CHECKED	J.K. 07.20.11
			ENG APPR.	J.K. 07.20.11
			MFG APPR.	J.K. 07.20.11
		INTERPRET GEOMETRIC TOLERANCING PER: ANSI	Q.A.	
		MATERIAL	COMMENTS:	
NEXT ASSY	USED ON	FINISH		
APPLICATION		DO NOT SCALE DRAWING		

APW COMPANY

TITLE:

P/N: EM137-9-222

SIZE	DWG. NO.	REV
A	6468	
SCALE: 1:1	WEIGHT:	SHEET 1 OF 1