

## Electrical Specifications

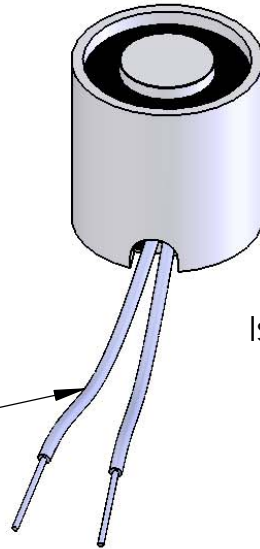
**Voltage:** 6 VDC  
**Duty Cycle:** Continuous  
**Resistance:** 35 ohms  $\pm$  10% (@ 20c)  
**Amps @ rated Volts:** 0.171  
**Watts @ rated Volts:** 1.03  
**Holding:** 2 lbs (1/4" Thick 1215 CRS @ 20c)  
**Operating Temp:** -40c to 60c (range)

## Additional Components

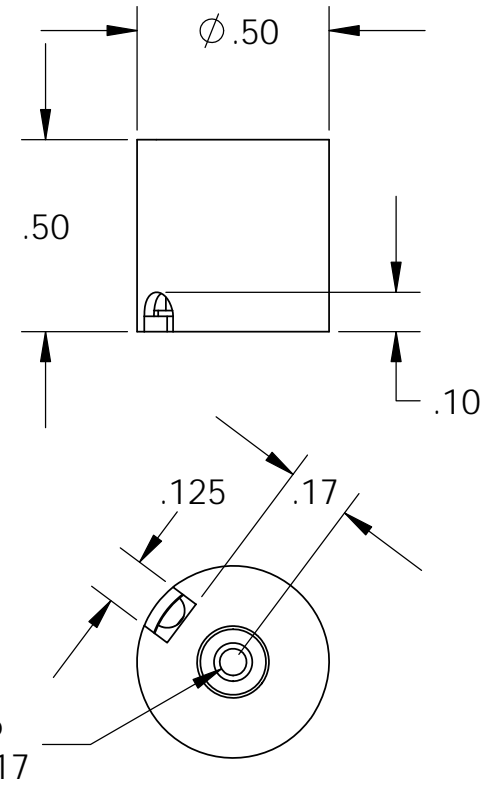
**Screw:** N/A  
**Spring:** N/A  
**Spiral Pin:** N/A  
**Potting:** N/A

**Finish:** Housing - Zinc or Electroless Nickel Plating  
 (0.0002-0.0003")

12" Long (2x)  
 .5 Strip ends  
 28 Ga. (7/36)  
 Teflon Coated  
 Lead Wires  
 (Yellow)



Isometric View



**PROPRIETARY AND CONFIDENTIAL**  
 THE INFORMATION CONTAINED IN THIS DRAWING IS THE SOLE PROPERTY OF APW COMPANY. ANY REPRODUCTION IN PART OR AS A WHOLE WITHOUT THE WRITTEN PERMISSION OF APW COMPANY IS PROHIBITED.

		UNLESS OTHERWISE SPECIFIED:		NAME	DATE
		DIMENSIONS ARE IN INCHES	DRAWN	K.H.	07.19.11
		TOLERANCES:	CHECKED	J.K.	07.19.11
		FRACTIONAL $\pm$ .015	ENG APPR.	J.K.	07.19.11
		ANGULAR: MACH $\pm$ 2 BEND $\pm$ 2	MFG APPR.	J.K.	07.19.11
		TWO PLACE DECIMAL $\pm$ .005	Q.A.		
		THREE PLACE DECIMAL $\pm$ .003	COMMENTS:		
		INTERPRET GEOMETRIC TOLERANCING PER: ANSI			
		MATERIAL			
NEXT ASSY	USED ON	FINISH			
APPLICATION		DO NOT SCALE DRAWING			

<b>APW COMPANY</b>		
TITLE: P/N: EM050-6-222		
SIZE <b>A</b>	DWG. NO. <b>6409</b>	REV
SCALE: 2:1	WEIGHT:	SHEET 1 OF 1