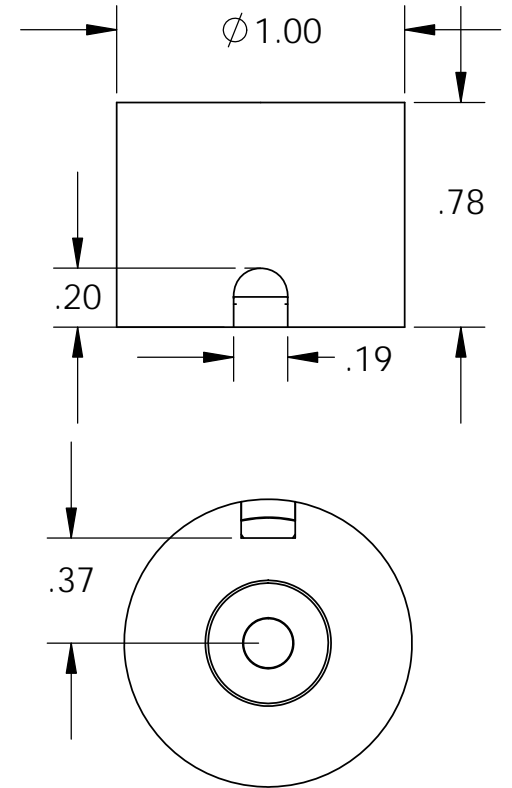
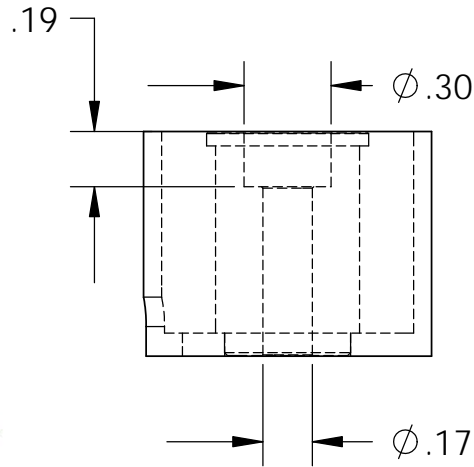


Isometric View



Electrical Specifications

- Voltage:* 3 VDC
- Duty Cycle:* Intermittent
- Resistance:* 2.3 ohms ± 10% (@ 20c)
- Amps @ rated Volts:* 1.83
- Watts @ rated Volts:* 5.5
- Holding:* 25 lbs (1/4" Thick 1215 CRS @ 20c)
- Operating Temp:* -40c to 60c (range)

Additional Components

- Screw:* 8-32 x 1.0" Long (Hex Socket Head Cap) w/Nylok
- Spring:* N/A
- Spiral Pin:* N/A
- Potting:* N/A

- Finish:* Housing - Zinc or Electroless Nickel Plating (0.0002-0.0003")

PROPRIETARY AND CONFIDENTIAL
THE INFORMATION CONTAINED IN THIS DRAWING IS THE SOLE PROPERTY OF APW COMPANY. ANY REPRODUCTION IN PART OR AS A WHOLE WITHOUT THE WRITTEN PERMISSION OF APW COMPANY IS PROHIBITED.

		UNLESS OTHERWISE SPECIFIED:		NAME	DATE
		DIMENSIONS ARE IN INCHES	DRAWN	K.H.	07.19.11
		TOLERANCES:	CHECKED	J.K.	07.19.11
		FRACTIONAL ± .015	ENG APPR.	J.K.	07.19.11
		ANGULAR: MACH ± 2 BEND ± 2	MFG APPR.	J.K.	07.19.11
		TWO PLACE DECIMAL ± .005			
		THREE PLACE DECIMAL ± .003			
		INTERPRET GEOMETRIC TOLERANCING PER: ANSI	Q.A.		
		MATERIAL	COMMENTS:		
		FINISH	Series: 607R1.0 24 vdc		
NEXT ASSY	USED ON				
APPLICATION		DO NOT SCALE DRAWING			

APW COMPANY INC.		
TITLE:		
P/N: EM100-3H-222		
SIZE	DWG. NO.	REV
A	6189	
SCALE: 3:2	WEIGHT:	SHEET 1 OF 1