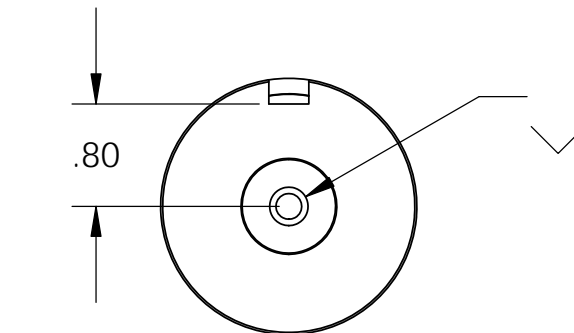
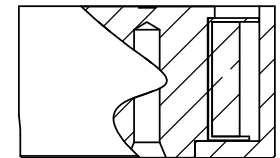
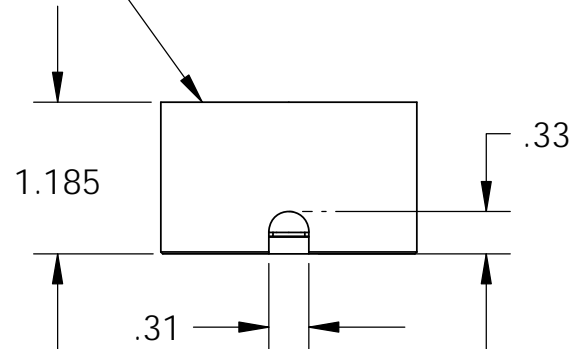
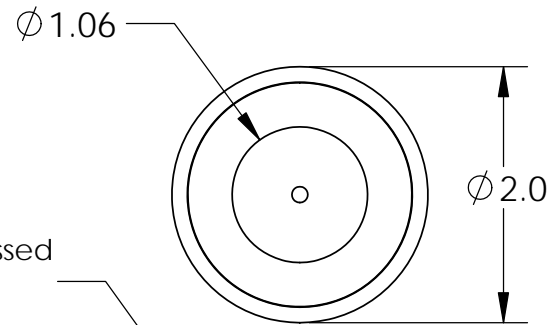


Isometric View

18" Long Leads
18 Ga. Type UL 1015

Center Post Recessed
(.003-.005)
Quick Release



$\phi .20 \nabla 1.00$
1/4-20 UNC $\nabla .75$
 $\checkmark \phi .30 \times 45^\circ$, NEAR SIDE

Electrical Specifications

Voltage: 12 VDC
Duty Cycle: Continuous
Resistance: 20.5 ohms $\pm 10\%$ (@ 20c)
Amps @ rated Volts: 0.58
Watts @ rated Volts: 7.0
Holding: 105 lbs (1/4" Thick 1215 CRS @ 20c)
Operating Temp: -40c to 60c (range)

Additional Components

Screw: N/A
Spring: N/A
Spiral Pin: N/A
Potting: N/A
Rectifier: N/A

Finish: Housing - Zinc or Electroless Nickel Plating
(0.0002-0.0003")

PROPRIETARY AND CONFIDENTIAL THE INFORMATION CONTAINED IN THIS DRAWING IS THE SOLE PROPERTY OF APW COMPANY. ANY REPRODUCTION IN PART OR AS A WHOLE WITHOUT THE WRITTEN PERMISSION OF APW COMPANY IS PROHIBITED.			UNLESS OTHERWISE SPECIFIED: DIMENSIONS ARE IN INCHES TOLERANCES: FRACTIONAL $\pm .015$ ANGULAR: MACH ± 2 BEND ± 2 TWO PLACE DECIMAL $\pm .005$ THREE PLACE DECIMAL $\pm .003$		NAME	DATE	APW COMPANY TITLE: P/N: EM200-12-122-A
				DRAWN	K.H.	07.21.11	
				CHECKED	J.K.	07.21.11	
				ENG APPR.	J.K.	07.21.11	
				MFG APPR.	J.K.	07.21.11	
		INTERPRET GEOMETRIC TOLERANCING PER: ANSI	Q.A.				
		MATERIAL	COMMENTS:				
		FINISH					
NEXT ASSY	USED ON						
APPLICATION		DO NOT SCALE DRAWING			SIZE	DWG. NO.	REV
				A	6176		
				SCALE: 2:3	WEIGHT:	SHEET 1 OF 1	