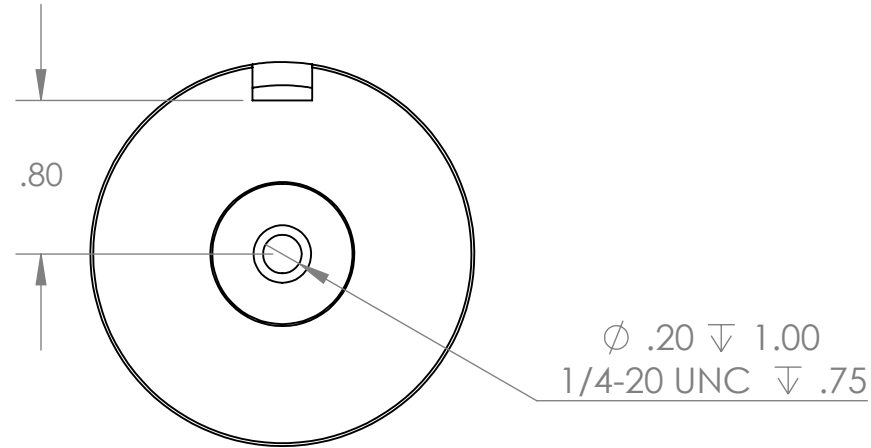
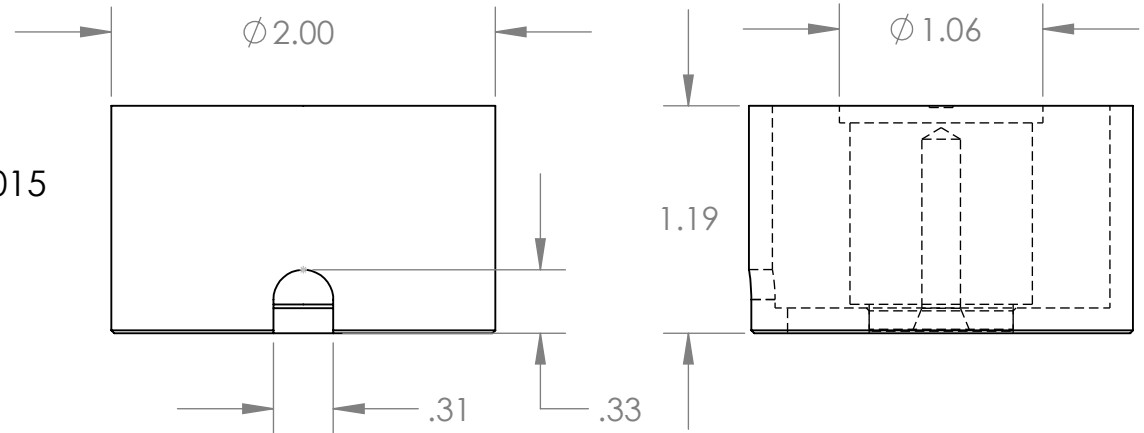


Isometric View



Electrical Specifications

- Voltage:** 24 VDC
- Duty Cycle:** Continuous
- Resistance:** 82 ohms \pm 10% (@ 20c)
- Amps @ rated Volts:** 0.29
- Watts @ rated Volts:** 7.02
- Holding:** 140 lbs (1/4" Thick 1215 CRS @ 20c)
- Operating Temp:** -40c to 60c (range)

Additional Components

- Screw:** N/A
- Spring:** N/A
- Spiral Pin:** N/A
- Potting:** N/A

Finish: Housing - Zinc or Electroless Nickel Plating (0.0002-0.0003")

PROPRIETARY AND CONFIDENTIAL
 THE INFORMATION CONTAINED IN THIS DRAWING IS THE SOLE PROPERTY OF APW COMPANY. ANY REPRODUCTION IN PART OR AS A WHOLE WITHOUT THE WRITTEN PERMISSION OF APW COMPANY IS STRICTLY PROHIBITED.

Client	Client P/N	UNLESS OTHERWISE SPECIFIED: DIMENSIONS ARE IN INCHES TOLERANCES: FRACTIONAL \pm .010 ANGULAR: MACH \pm BEND \pm TWO PLACE DECIMAL \pm .005 THREE PLACE DECIMAL \pm .003	NAME	DATE	APW COMPANY
			DRAWN	D.P.	
		Break Sharp edges 0.002" unless otherwise noted	CHECKED		TITLE:
			MATERIAL	ENG APPR.	
		FINISH	MFG APPR.		SIZE
NEXT ASSY	USED ON		COMMENTS:	Q.A.	
APPLICATION		DO NOT SCALE DRAWING			A
					6165
					REV
					SCALE: 1:1
					WEIGHT:
					SHEET 1 OF 1