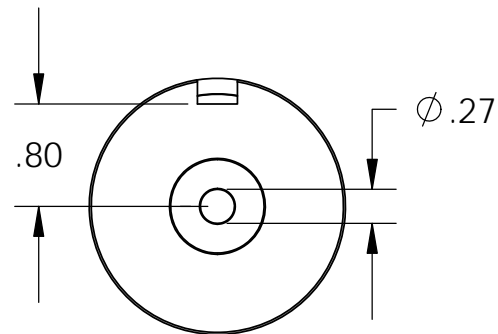
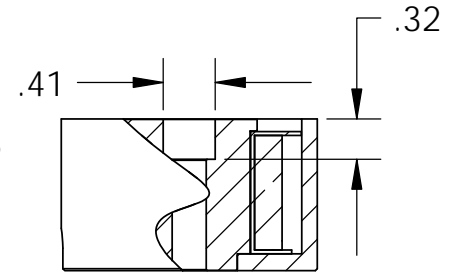
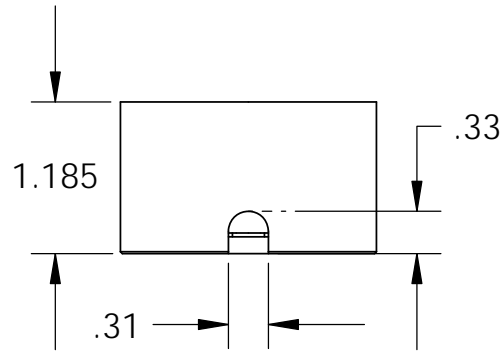
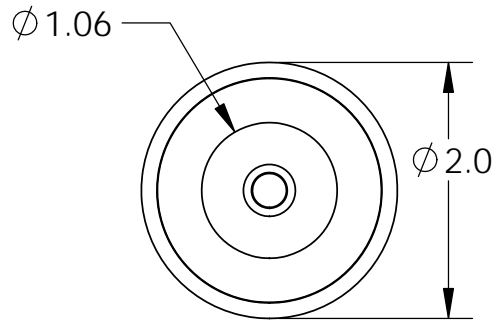


Isometric View

18" Long Leads  
18 Ga. Type UL 1015



**Electrical Specifications**

**Voltage:** 24 VDC  
**Duty Cycle:** Continuous  
**Resistance:** 82 ohms ± 10% (@ 20c)  
**Amps @ rated Volts:** 0.29  
**Watts @ rated Volts:** 7.0  
**Holding:** 140 lbs (1/4" Thick 1215 CRS @ 20c)  
**Operating Temp:** -40c to 60c (range)

**Additional Components**

**Screw:** 1/4-20 x 1 1/4" Long (Hex Socket Head Cap) w/Nylok  
**Spring:** N/A  
**Spiral Pin:** N/A  
**Potting:** N/A  
**Finish:** Housing - Zinc or Electroless Nickel Plating (0.0002-0.0003")

**PROPRIETARY AND CONFIDENTIAL**  
 THE INFORMATION CONTAINED IN THIS DRAWING IS THE SOLE PROPERTY OF APW COMPANY. ANY REPRODUCTION IN PART OR AS A WHOLE WITHOUT THE WRITTEN PERMISSION OF APW COMPANY IS PROHIBITED.

		UNLESS OTHERWISE SPECIFIED:		NAME	DATE
		DIMENSIONS ARE IN INCHES	DRAWN	K.H.	07.14.11
		TOLERANCES:	CHECKED	J.K.	07.14.11
		FRACTIONAL ± .015	ENG APPR.	J.K.	07.14.11
		ANGULAR: MACH ± 2 BEND ± 2	MFG APPR.	J.K.	07.14.11
		TWO PLACE DECIMAL ± .005			
		THREE PLACE DECIMAL ± .003	Q.A.		
		INTERPRET GEOMETRIC TOLERANCING PER: ANSI	COMMENTS:		
		MATERIAL			
		FINISH			
NEXT ASSY	USED ON				
APPLICATION		DO NOT SCALE DRAWING			

<b>APW COMPANY</b>		
TITLE:		
P/N: EM200-24-222		
SIZE	DWG. NO.	REV
<b>A</b>	<b>6065</b>	
SCALE: 2:3	WEIGHT:	SHEET 1 OF 1