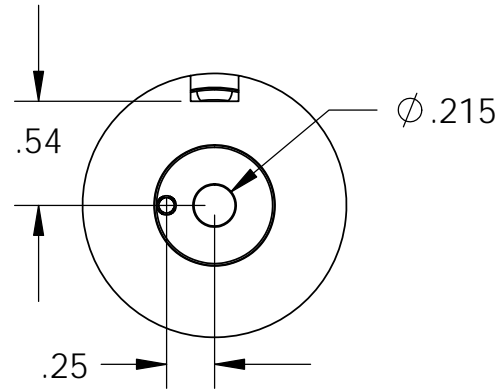
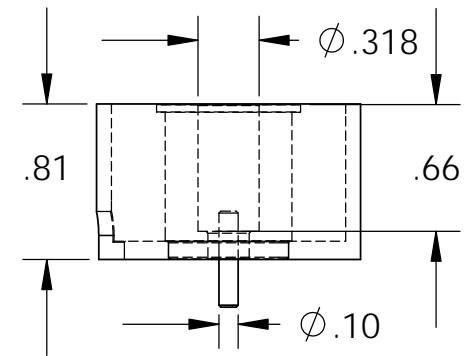
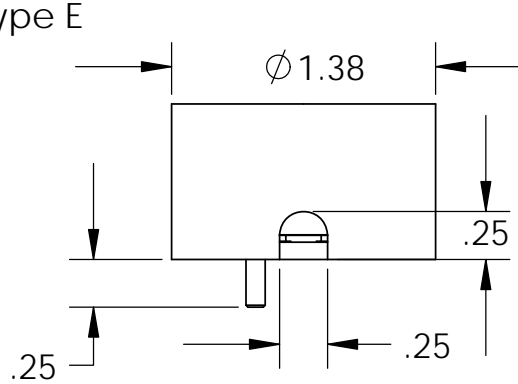


Isometric view



**Electrical Specifications**

- Voltage:** 24 VDC
- Duty Cycle:** Continuous
- Resistance:** 165 ohms  $\pm$  10% (@ 20c)
- Amps @ rated Volts:** 0.21
- Watts @ rated Volts:** 5.0
- Holding:** 44 lbs (1/4" Thick 1215 CRS @ 20c)
- Operating Temp:** -40c to 60c (range)

**Additional Components**

- Screw:** 91-765-1 (#8-32 x .83" standoff)
- Spring:** Century L-73
- Spiral Pin:** N/A
- Potting:** N/A

**Finish:** Housing - Zinc or Electroless Nickel Plating (0.0002-0.0003")

**PROPRIETARY AND CONFIDENTIAL**  
 THE INFORMATION CONTAINED IN THIS DRAWING IS THE SOLE PROPERTY OF APW COMPANY. ANY REPRODUCTION IN PART OR AS A WHOLE WITHOUT THE WRITTEN PERMISSION OF APW COMPANY IS PROHIBITED.

		UNLESS OTHERWISE SPECIFIED:		NAME	DATE
		DIMENSIONS ARE IN INCHES	DRAWN	K.H.	07.20.11
		TOLERANCES:	CHECKED	J.K.	07.20.11
		FRACTIONAL $\pm$ .015	ENG APPR.	J.K.	07.20.11
		ANGULAR: MACH $\pm$ 2 BEND $\pm$ 2	MFG APPR.	J.K.	07.20.11
		TWO PLACE DECIMAL $\pm$ .005	Q.A.		
		THREE PLACE DECIMAL $\pm$ .003	COMMENTS:		
		INTERPRET GEOMETRIC TOLERANCING PER: ANSI			
		MATERIAL			
NEXT ASSY	USED ON	FINISH			
APPLICATION		DO NOT SCALE DRAWING			

**APW COMPANY INC.**

TITLE:  
 P/N: EM137-24-221-A

SIZE	DWG. NO.	REV
<b>A</b>	6052	
SCALE: 1:1	WEIGHT:	SHEET 1 OF 1