

## Electrical Specifications

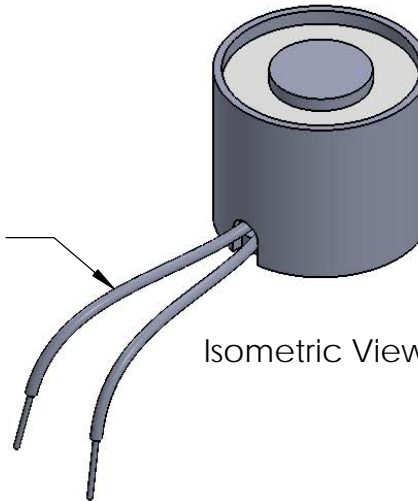
**Voltage:** 24 VDC  
**Duty Cycle:** Continuous  
**Resistance:** 585 ohms  $\pm$  10% (@ 20c)  
**Amps @ rated Volts:** 0.04  
**Watts @ rated Volts:** 1.0  
**Holding:** 4.5 lbs (1/4" Thick 1215 CRS @ 20c)  
**Operating Temp:** -40c to 60c (range)

## Additional Components

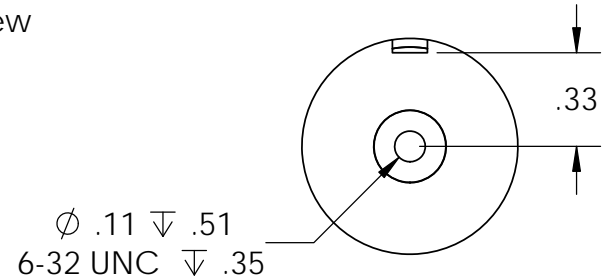
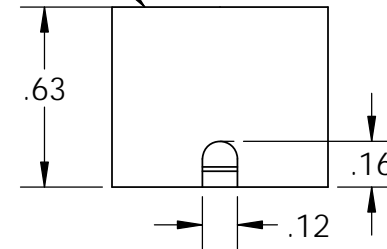
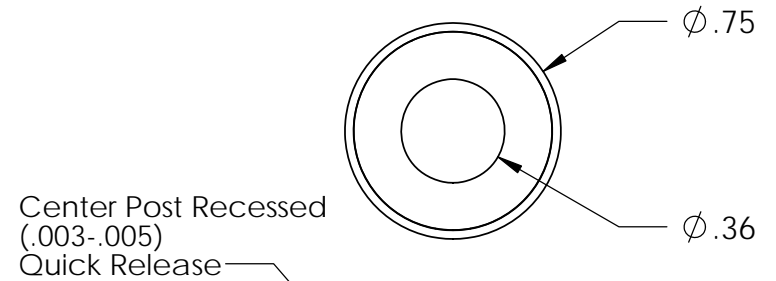
**Screw:** N/A  
**Spring:** N/A  
**Spiral Pin:** N/A  
**Potting:** N/A

**Finish:** Housing - Zinc or Electroless Nickel Plating  
 (0.0002-0.0003")

18" Long Leads  
 26 Ga. Teflon Type E



Isometric View



**PROPRIETARY AND CONFIDENTIAL**  
 THE INFORMATION CONTAINED IN THIS DRAWING IS THE SOLE PROPERTY OF APW COMPANY. ANY REPRODUCTION IN PART OR AS A WHOLE WITHOUT THE WRITTEN PERMISSION OF APW COMPANY IS PROHIBITED.

		UNLESS OTHERWISE SPECIFIED:		NAME	DATE
		DIMENSIONS ARE IN INCHES	DRAWN	K.H.	08.10.11
		TOLERANCES:	CHECKED	J.K.	08.10.11
		FRACTIONAL $\pm$ .015	ENG APPR.	J.K.	08.10.11
		ANGULAR: MACH $\pm$ 2 BEND $\pm$ 2	MFG APPR.	J.K.	08.10.11
		TWO PLACE DECIMAL $\pm$ .005	Q.A.		
		THREE PLACE DECIMAL $\pm$ .003	COMMENTS:		
		INTERPRET GEOMETRIC TOLERANCING PER: ANSI			
		MATERIAL			
NEXT ASSY	USED ON	FINISH			
APPLICATION		DO NOT SCALE DRAWING			

**APW COMPANY**

TITLE:

EM075-24-122

SIZE  
**A**

DWG. NO.

6038

REV

SCALE: 1:1

WEIGHT:

SHEET 1 OF 1