

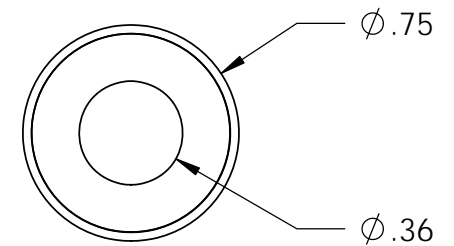
Electrical Specifications

Voltage: 12 VDC
Duty Cycle: Continuous
Resistance: 142 ohms \pm 10% (@ 20c)
Amps @ rated Volts: 0.08
Watts @ rated Volts: 1.0
Holding: 6 lbs (1/4" Thick 1215 CRS @ 20c)
Operating Temp: -40c to 60c (range)

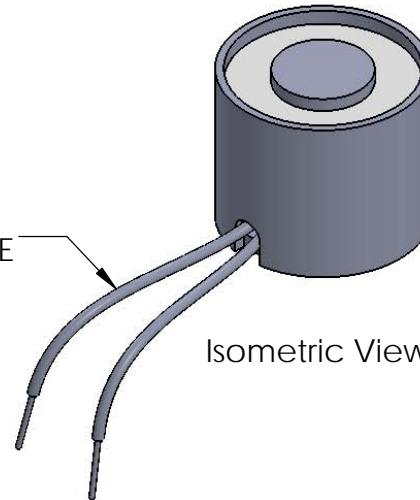
Additional Components

Screw: N/A
Spring: N/A
Spiral Pin: N/A
Potting: N/A

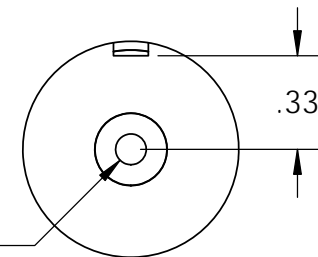
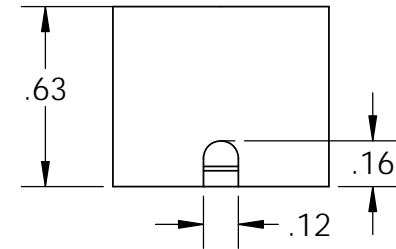
Finish: Housing - Zinc or Electroless Nickel Plating
 (0.0002-0.0003")



18" Long Leads
26 Ga. Teflon Type E



Isometric View



ϕ .11 ∇ .51
 6-32 UNC ∇ .35

PROPRIETARY AND CONFIDENTIAL
 THE INFORMATION CONTAINED IN THIS DRAWING IS THE SOLE PROPERTY OF APW COMPANY. ANY REPRODUCTION IN PART OR AS A WHOLE WITHOUT THE WRITTEN PERMISSION OF APW COMPANY IS PROHIBITED.

		UNLESS OTHERWISE SPECIFIED:		NAME	DATE	APW COMPANY			
		DIMENSIONS ARE IN INCHES TOLERANCES: FRACTIONAL \pm .015 ANGULAR: MACH \pm 2 BEND \pm 2 TWO PLACE DECIMAL \pm .005 THREE PLACE DECIMAL \pm .003		DRAWN	K.H.			08.10.11	
		INTERPRET GEOMETRIC TOLERANCING PER: ANSI		CHECKED	J.K.	08.10.11	TITLE: EM075-12-222		
		MATERIAL		ENG APPR.	J.K.	08.10.11			
		FINISH		MFG APPR.	J.K.	08.10.11			
NEXT ASSY	USED ON			Q.A.			SIZE	DWG. NO.	REV
APPLICATION		DO NOT SCALE DRAWING		COMMENTS:			A	6034	
							SCALE: 1:1	WEIGHT:	SHEET 1 OF 1