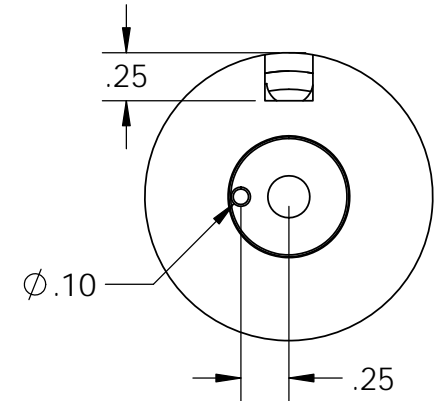
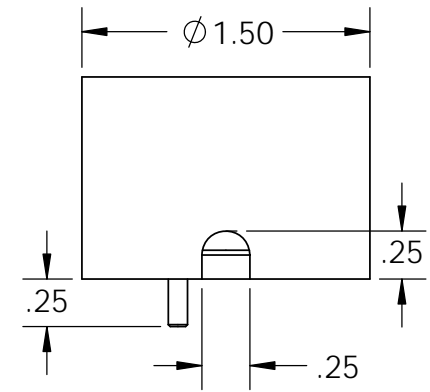
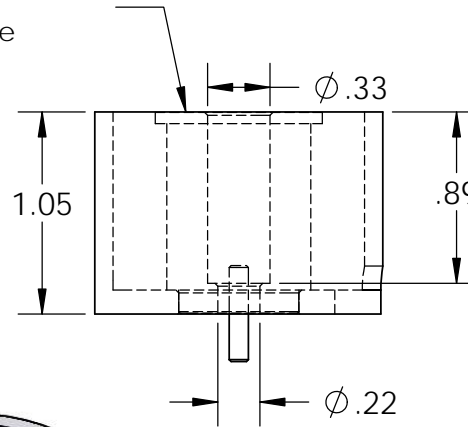


Electrical Specifications

Voltage: 12 VDC
Duty Cycle: Continuous
Resistance: 24 ohms \pm 10% (@ 20c)
Amps @ rated Volts: 0.50
Watts @ rated Volts: 6.0
Holding: 66 lbs (1/4" Thick 1215 CRS @ 20c)
Operating Temp: -40c to 60c (range)

Center Post Recessed
 (.003-.005)
 Quick Release

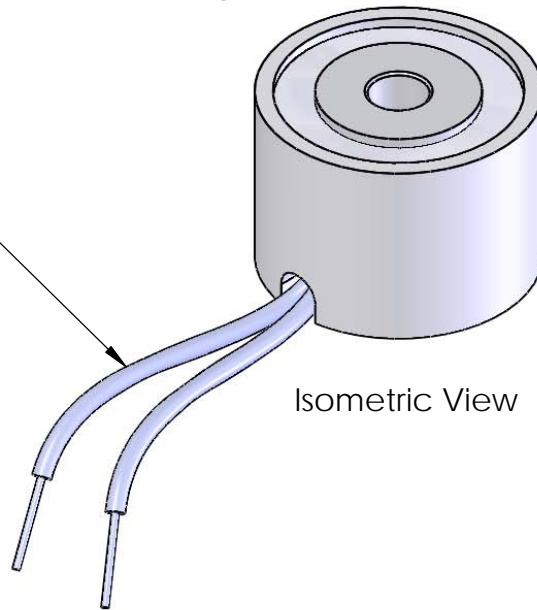


Additional Components

Screw: 91-765-1 (#8-32 x .83" standoff)
Spring: 328-SC-104
Spiral Pin: N/A
Potting: N/A

Finish: Housing - Zinc or Electroless Nickel Plating
 (0.0002-0.0003")

18" Long Leads
 22 Ga. Type 1015 UL



Isometric View

PROPRIETARY AND CONFIDENTIAL
 THE INFORMATION CONTAINED IN THIS DRAWING IS THE SOLE PROPERTY OF APW COMPANY. ANY REPRODUCTION IN PART OR AS A WHOLE WITHOUT THE WRITTEN PERMISSION OF APW COMPANY IS PROHIBITED.

		UNLESS OTHERWISE SPECIFIED:		NAME	DATE
		DIMENSIONS ARE IN INCHES	DRAWN	K.H.	07.13.11
		TOLERANCES:	CHECKED	J.K.	07.13.11
		FRACTIONAL \pm .015	ENG APPR.	J.K.	07.13.11
		ANGULAR: MACH \pm 2 BEND \pm 2	MFG APPR.	J.K.	07.13.11
		TWO PLACE DECIMAL \pm .005	Q.A.		
		THREE PLACE DECIMAL \pm .003	COMMENTS:		
		INTERPRET GEOMETRIC TOLERANCING PER: ANSI			
		MATERIAL			
NEXT ASSY	USED ON	FINISH			
APPLICATION		DO NOT SCALE DRAWING			

APW COMPANY		
TITLE:		
P/N: EM150-12-121		
SIZE	DWG. NO.	REV
A	6022	
SCALE: 1:1	WEIGHT:	SHEET 1 OF 1