

## Electrical Specifications

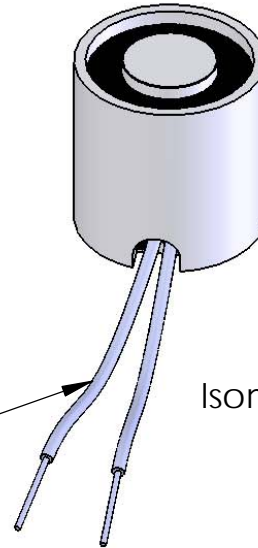
**Voltage:** 6 VDC  
**Duty Cycle:** Intermittent  
**Resistance:** 22.5 ohms  $\pm$  10% (@ 20c)  
**Amps @ rated Volts:** 0.28  
**Watts @ rated Volts:** 1.7  
**Holding:** 3 lbs (1/4" Thick 1215 CRS @ 20c)  
**Operating Temp:** -40c to 60c (range)

## Additional Components

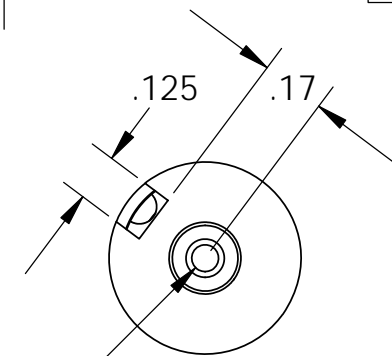
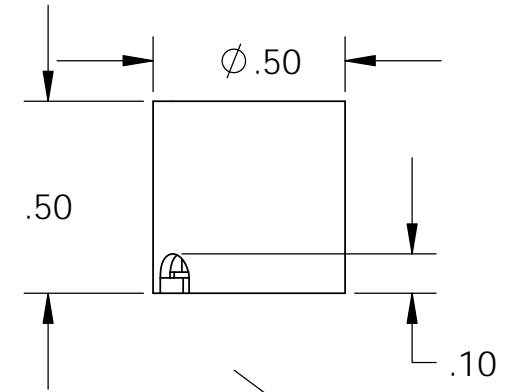
**Screw:** N/A  
**Spring:** N/A  
**Spiral Pin:** N/A  
**Potting:** N/A

**Finish:** Housing - Zinc or Electroless Nickel Plating  
 (0.0002-0.0003")

12" Long (2x)  
 .5 Strip ends  
 28 Ga. (7/36)  
 Teflon Coated  
 Lead Wires  
 (Yellow)



Isometric View



$\phi$  .07  $\nabla$  .26  
 2-56 UNC  $\nabla$  .17

**PROPRIETARY AND CONFIDENTIAL**  
 THE INFORMATION CONTAINED IN THIS DRAWING IS THE SOLE PROPERTY OF APW COMPANY. ANY REPRODUCTION IN PART OR AS A WHOLE WITHOUT THE WRITTEN PERMISSION OF APW COMPANY IS PROHIBITED.

		UNLESS OTHERWISE SPECIFIED:		NAME	DATE	<b>APW COMPANY</b>			
		DIMENSIONS ARE IN INCHES TOLERANCES: FRACTIONAL $\pm$ .015 ANGULAR: MACH $\pm$ 2 BEND $\pm$ 2 TWO PLACE DECIMAL $\pm$ .005 THREE PLACE DECIMAL $\pm$ .003	DRAWN	K.H.	07.19.11				TITLE:  P/N: EM050-6H-222
		INTERPRET GEOMETRIC TOLERANCING PER: ANSI	CHECKED	J.K.	07.19.11	SIZE	DWG. NO.	REV	
		MATERIAL	ENG APPR.	J.K.	07.19.11				<b>A</b>
		FINISH	MFG APPR.	J.K.	07.19.11	SCALE: 2:1		WEIGHT:	
NEXT ASSY	USED ON		Q.A.						
APPLICATION		DO NOT SCALE DRAWING	COMMENTS:						