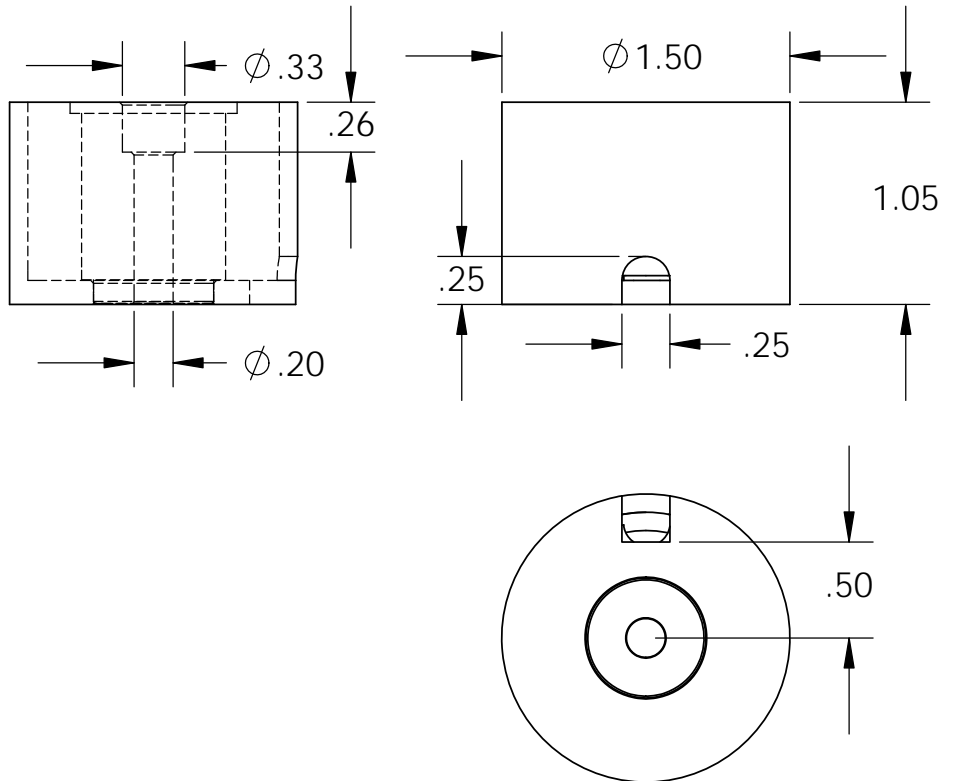


Isometric View



Specifications

Voltage: 12 VDC
Duty Cycle: Continuous
Resistance: 24 ohms ± 10% (@ 20c)
Amps @ rated Volts: 0.5
Watts @ rated Volts: 6.0
Holding: 88 lbs (1/4" Thick 1215 CRS @ 20c)
Operating Temp: -40c to 60c (range)

Additional Components

Screw: 10-32 x 1 1/4" Long (Hex Socket Head Cap) w/Nylok
Spring: N/A
Spiral Pin: N/A
Potting: N/A

Finish: Housing - Zinc or Electroless Nickel Plating (0.0002-0.0003")

PROPRIETARY AND CONFIDENTIAL
 THE INFORMATION CONTAINED IN THIS DRAWING IS THE SOLE PROPERTY OF APW COMPANY. ANY REPRODUCTION IN PART OR AS A WHOLE WITHOUT THE WRITTEN PERMISSION OF APW COMPANY IS PROHIBITED.

		UNLESS OTHERWISE SPECIFIED:		NAME	DATE
		DIMENSIONS ARE IN INCHES	DRAWN	K.H.	07.13.11
		TOLERANCES:	CHECKED	J.K.	07.13.11
		FRACTIONAL ± .015	ENG APPR.	J.K.	07.13.11
		ANGULAR: MACH ± 2 BEND ± 2	MFG APPR.	J.K.	07.13.11
		TWO PLACE DECIMAL ± .005			
		THREE PLACE DECIMAL ± .003			
		INTERPRET GEOMETRIC TOLERANCING PER: ANSI	Q.A.		
		MATERIAL	COMMENTS:		
		FINISH			
NEXT ASSY	USED ON				
APPLICATION		DO NOT SCALE DRAWING			

APW COMPANY		
TITLE: P/N: EM150-12-222		
SIZE A	DWG. NO. 5859	REV
SCALE: 1:2	WEIGHT:	SHEET 1 OF 1