

## Electrical Specifications

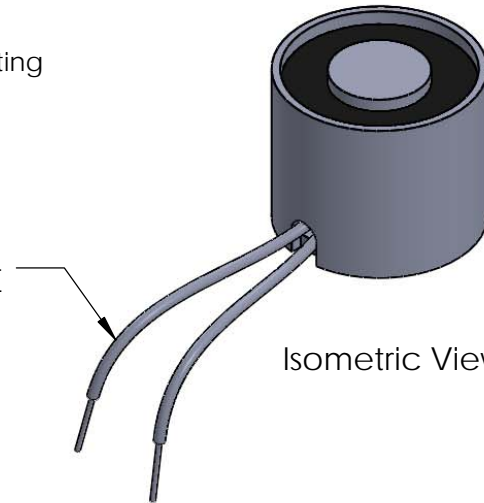
**Voltage:** 12 VDC  
**Duty Cycle:** Continuous  
**Resistance:** 142 ohms  $\pm$  10% (@ 20c)  
**Amps @ rated Volts:** 0.08  
**Watts @ rated Volts:** 1.0  
**Holding:** 4.5 lbs (1/4" Thick 1215 CRS @ 20c)  
**Operating Temp:** -40c to 60c (range)

## Additional Components

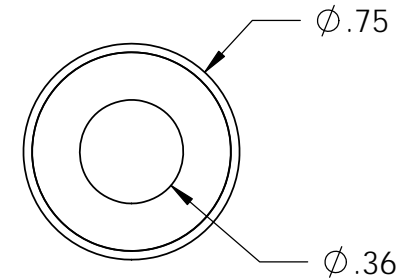
**Screw:** N/A  
**Spring:** N/A  
**Spiral Pin:** N/A  
**Potting:** United Resin Corp. (El-cast Black)

**Finish:** Housing - Zinc or Electroless Nickel Plating  
 (0.0002-0.0003")

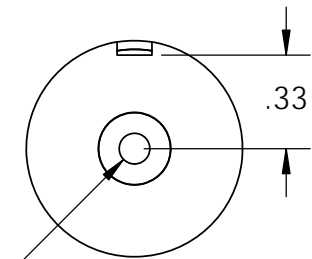
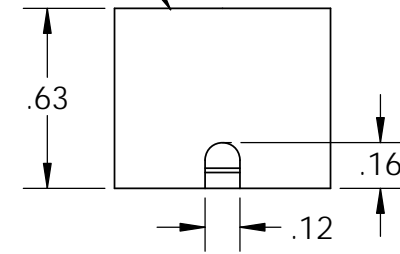
18" Long Leads  
 26 Ga. Teflon Type E



Isometric View



Center Post Recessed  
 (.003-.005)  
 Quick Release



$\phi .11 \nabla .51$   
 6-32 UNC  $\nabla .35$

**PROPRIETARY AND CONFIDENTIAL**  
 THE INFORMATION CONTAINED IN THIS DRAWING IS THE SOLE PROPERTY OF APW COMPANY. ANY REPRODUCTION IN PART OR AS A WHOLE WITHOUT THE WRITTEN PERMISSION OF APW COMPANY IS PROHIBITED.

		UNLESS OTHERWISE SPECIFIED:	NAME	DATE
		DIMENSIONS ARE IN INCHES TOLERANCES: FRACTIONAL $\pm .015$ ANGULAR: MACH $\pm 2$ BEND $\pm 2$ TWO PLACE DECIMAL $\pm .005$ THREE PLACE DECIMAL $\pm .003$	DRAWN	K.H. 08.10.11
			CHECKED	J.K. 08.10.11
			ENG APPR.	J.K. 08.10.11
			MFG APPR.	J.K. 08.10.11
		INTERPRET GEOMETRIC TOLERANCING PER: ANSI	Q.A.	
		MATERIAL	COMMENTS:	
		FINISH		
NEXT ASSY	USED ON			
APPLICATION		DO NOT SCALE DRAWING		

<b>APW COMPANY</b>		
TITLE: EM075-12-112		
SIZE <b>A</b>	DWG. NO. <b>5849</b>	REV
SCALE: 3:2	WEIGHT:	SHEET 1 OF 1