

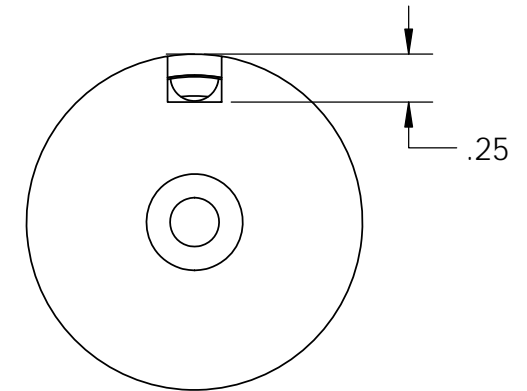
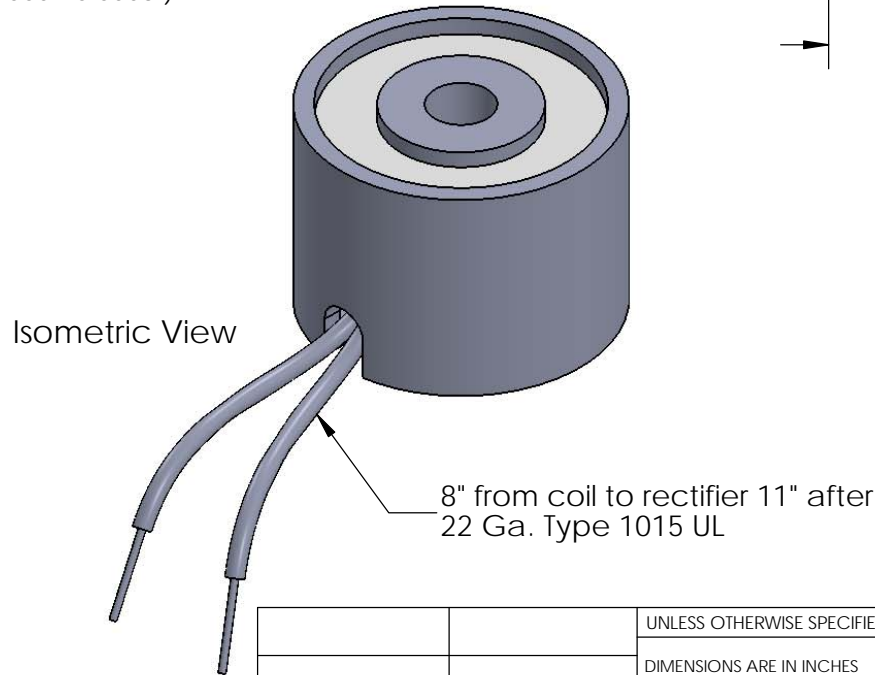
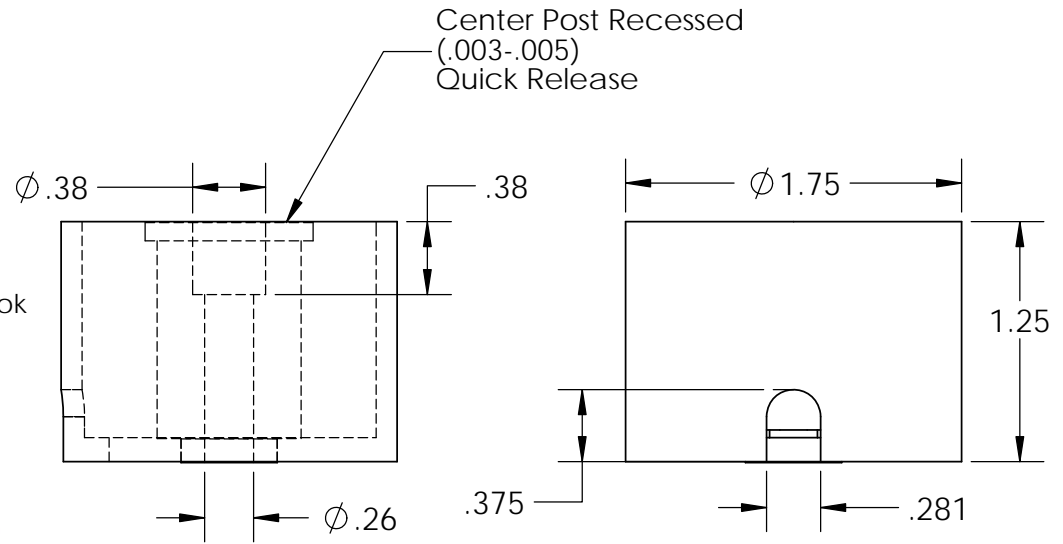
Electrical Specifications

Voltage: 24 VAC
Duty Cycle: Continuous
Resistance: 93 ohms \pm 10% (@ 20c)
Amps @ rated Volts: 0.25
Watts @ rated Volts: 6.0
Holding: 75 lbs (1/4" Thick 1215 CRS @ 20c)
Operating Temp: -40c to 60c (range)

Additional Components

Screw: 1/4-20 x 1 1/4" Long (Hex Socket Head Cap) w/Nylok
Spring: N/A
Spiral Pin: N/A
Potting: N/A

Finish: Housing - Zinc or Electroless Nickel Plating
 (0.0002-0.0003")



PROPRIETARY AND CONFIDENTIAL
 THE INFORMATION CONTAINED IN THIS DRAWING IS THE SOLE PROPERTY OF APW COMPANY. ANY REPRODUCTION IN PART OR AS A WHOLE WITHOUT THE WRITTEN PERMISSION OF APW COMPANY IS PROHIBITED.

		UNLESS OTHERWISE SPECIFIED:	NAME	DATE
		DIMENSIONS ARE IN INCHES TOLERANCES: FRACTIONAL \pm .015 ANGULAR: MACH \pm 2 BEND \pm 2 TWO PLACE DECIMAL \pm .005 THREE PLACE DECIMAL \pm .003	DRAWN	K.H. 06.21.11
			CHECKED	J.K. 06.21.11
			ENG APPR.	J.K. 06.21.11
			MFG APPR.	J.K. 06.21.11
		INTERPRET GEOMETRIC TOLERANCING PER: ANSI	Q.A.	
		MATERIAL	COMMENTS:	
		FINISH		
NEXT ASSY	USED ON			
APPLICATION		DO NOT SCALE DRAWING		

APW COMPANY		
TITLE:		
P/N: EM175-24ac-122		
SIZE	DWG. NO.	REV
A	5762	
SCALE: 1:1	WEIGHT:	SHEET 1 OF 1