

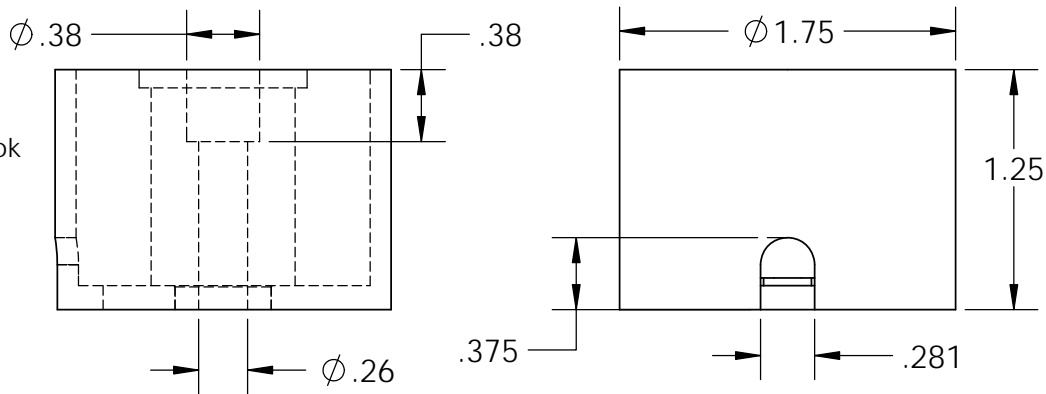
## Electrical Specifications

**Voltage:** 12 VDC  
**Duty Cycle:** Continuous  
**Resistance:** 23 ohms  $\pm$  10% (@ 20c)  
**Amps @ rated Volts:** 0.5  
**Watts @ rated Volts:** 6.0  
**Holding:** 100 lbs (1/4" Thick 1215 CRS @ 20c)  
**Operating Temp:** -40c to 60c (range)

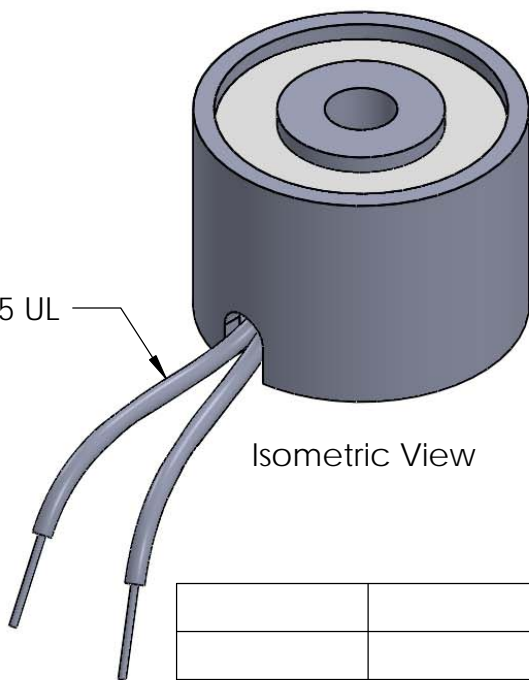
## Additional Components

**Screw:** 1/4-20 x 1 1/4" Long (Hex Socket Head Cap) w/Nylok  
**Spring:** N/A  
**Spiral Pin:** N/A  
**Potting:** N/A

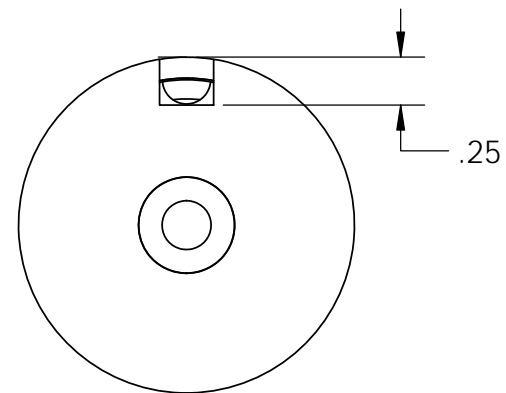
**Finish:** Housing - Zinc or Electroless Nickel Plating  
 (0.0002-0.0003")



18" Long Leads  
 18 Ga. Type 1015 UL



Isometric View



**PROPRIETARY AND CONFIDENTIAL**  
 THE INFORMATION CONTAINED IN THIS DRAWING IS THE SOLE PROPERTY OF APW COMPANY. ANY REPRODUCTION IN PART OR AS A WHOLE WITHOUT THE WRITTEN PERMISSION OF APW COMPANY IS PROHIBITED.

		UNLESS OTHERWISE SPECIFIED:		NAME	DATE
		DIMENSIONS ARE IN INCHES	DRAWN	K.H.	06.21.11
		TOLERANCES:	CHECKED	J.K.	06.21.11
		FRACTIONAL $\pm$ .015	ENG APPR.	J.K.	06.21.11
		ANGULAR: MACH $\pm$ 2 BEND $\pm$ 2	MFG APPR.	J.K.	06.21.11
		TWO PLACE DECIMAL $\pm$ .005	Q.A.		
		THREE PLACE DECIMAL $\pm$ .003	COMMENTS:		
		INTERPRET GEOMETRIC TOLERANCING PER: ANSI			
		MATERIAL			
		FINISH			
NEXT ASSY	USED ON				
APPLICATION		DO NOT SCALE DRAWING			

**APW COMPANY**

TITLE:

P/N: EM175-12-222

SIZE  
**A**

DWG. NO.

**5756**

REV

SCALE: 1:1

WEIGHT:

SHEET 1 OF 1