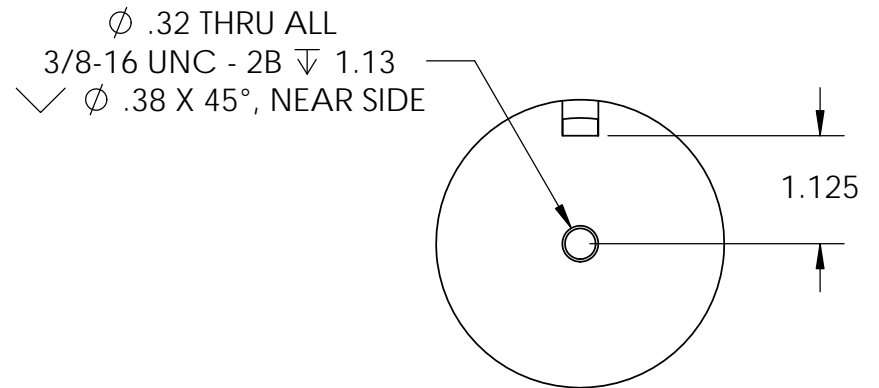
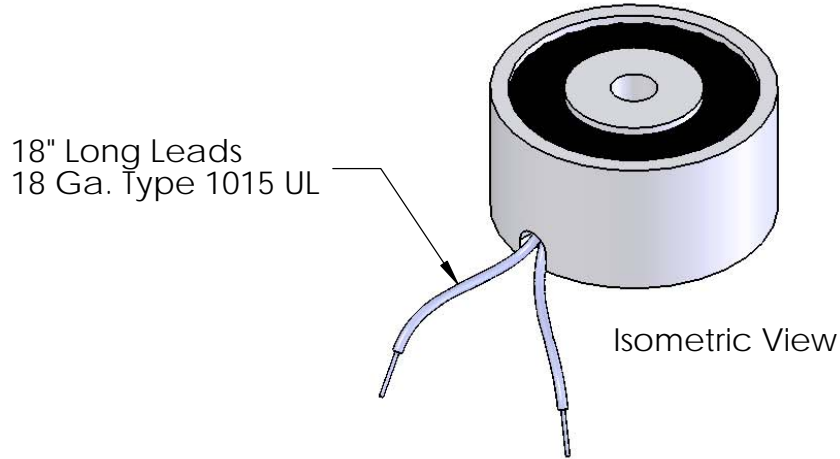
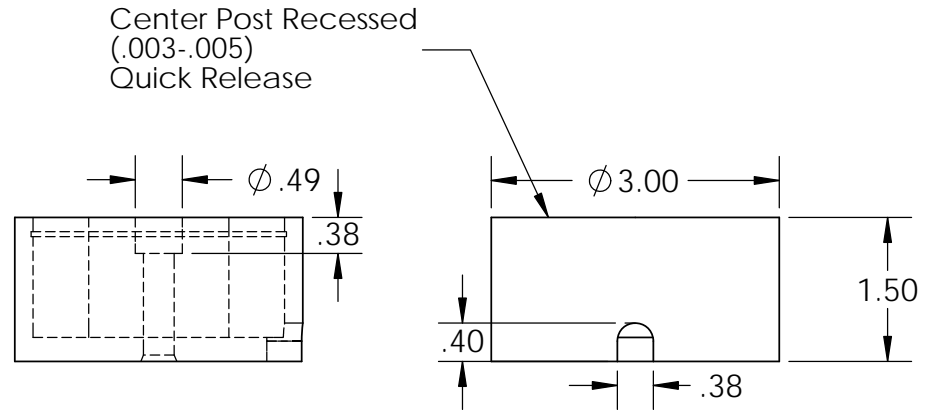


Electrical Specifications

Voltage: 110 VDC
Duty Cycle: Continuous
Resistance: 800 ohms \pm 10% (@ 20c)
Amps @ rated Volts: 0.14
Watts @ rated Volts: 15.0
Holding: 300 lbs (1/4" Thick 1215 CRS @ 20c)
Operating Temp: -40c to 60c (range)

Additional Components

Screw: 5/16-18 x 1 1/2" Long (Socket Head Cap Screw) w/Nylok
Spring: N/A
Spiral Pin: N/A
Potting: United Resin Corp. (EI-cast Black)
Finish: Housing - Zinc or Electroless Nickel Plating
 (0.0002-0.0003")



PROPRIETARY AND CONFIDENTIAL THE INFORMATION CONTAINED IN THIS DRAWING IS THE SOLE PROPERTY OF APW COMPANY. ANY REPRODUCTION IN PART OR AS A WHOLE WITHOUT THE WRITTEN PERMISSION OF APW COMPANY IS PROHIBITED.			UNLESS OTHERWISE SPECIFIED:		NAME	DATE	APW COMPANY TITLE: P/N: EM300-110-112
			DIMENSIONS ARE IN INCHES	DRAWN	K.H.	07.15.11	
			TOLERANCES:	CHECKED	J.K.	07.15.11	
			FRACTIONAL $\pm .015$	ENG APPR.	J.K.	07.15.11	
			ANGULAR: MACH ± 2 BEND ± 2	MFG APPR.	J.K.	07.15.11	
		TWO PLACE DECIMAL $\pm .005$	Q.A.				
		THREE PLACE DECIMAL $\pm .003$	COMMENTS:				
		INTERPRET GEOMETRIC TOLERANCING PER: ANSI					
		MATERIAL					
	NEXT ASSY	USED ON	FINISH				
	APPLICATION		DO NOT SCALE DRAWING				
				SIZE	DWG. NO.	REV	
				A	5549		
				SCALE: 1:2	WEIGHT:	SHEET 1 OF 1	