

Electrical Specifications

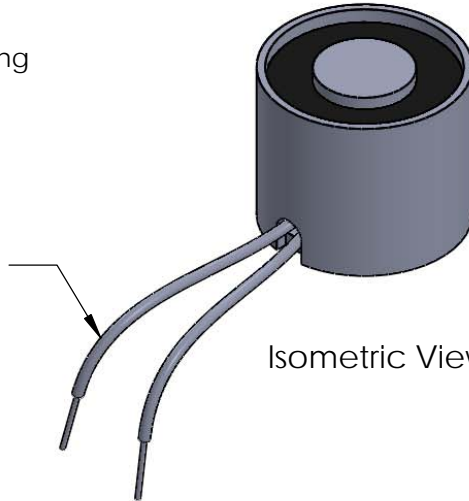
Voltage: 115 VAC
Duty Cycle: Continuous
Resistance: 8330 ohms \pm 10% (@ 20c)
Amps @ rated Volts: 0.01
Watts @ rated Volts: 1.0
Holding: 6 lbs (1/4" Thick 1215 CRS @ 20c)
Operating Temp: -40c to 60c (range)

Additional Components

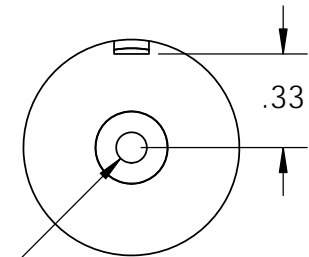
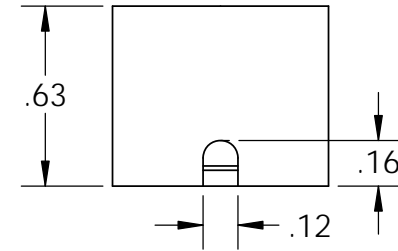
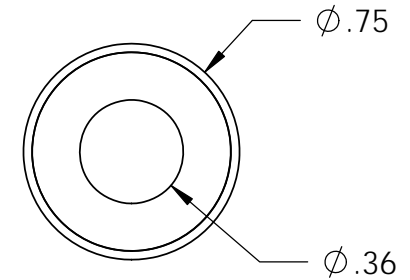
Screw: N/A
Spring: N/A
Spiral Pin: N/A
Potting: N/A

Finish: Housing - Zinc or Electroless Nickel Plating
 (0.0002-0.0003")

8" from coil to rectifier 11" after
26 Ga. Teflon Type E



Isometric View



$\phi .11 \nabla .51$
 6-32 UNC $\nabla .35$

PROPRIETARY AND CONFIDENTIAL
 THE INFORMATION CONTAINED IN THIS DRAWING IS THE SOLE PROPERTY OF APW COMPANY. ANY REPRODUCTION IN PART OR AS A WHOLE WITHOUT THE WRITTEN PERMISSION OF APW COMPANY IS PROHIBITED.

		UNLESS OTHERWISE SPECIFIED:		NAME	DATE
		DIMENSIONS ARE IN INCHES	DRAWN	K.H.	08.10.11
		TOLERANCES:	CHECKED	J.K.	08.10.11
		FRACTIONAL $\pm .015$	ENG APPR.	J.K.	08.10.11
		ANGULAR: MACH ± 2 BEND ± 2	MFG APPR.	J.K.	08.10.11
		TWO PLACE DECIMAL $\pm .005$	Q.A.		
		THREE PLACE DECIMAL $\pm .003$	COMMENTS:		
		INTERPRET GEOMETRIC TOLERANCING PER: ANSI			
		MATERIAL			
NEXT ASSY	USED ON	FINISH			
APPLICATION		DO NOT SCALE DRAWING			

APW COMPANY

TITLE:

EM075-115ac-212

SIZE
A

DWG. NO.

4949

REV

SCALE: 3:2

WEIGHT:

SHEET 1 OF 1