

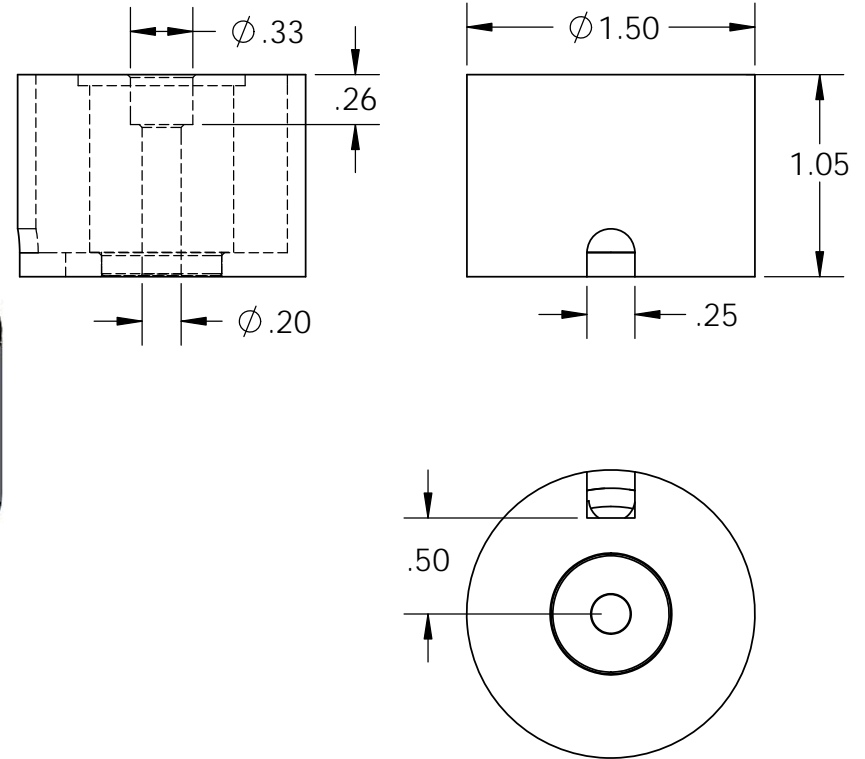
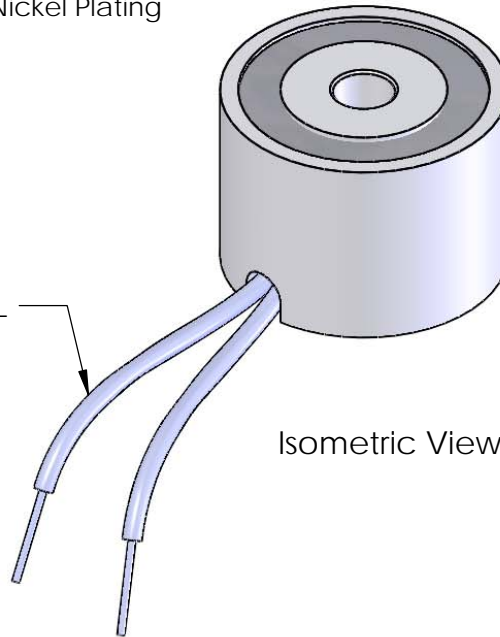
Electrical Specifications

Voltage: 36 VDC
Duty Cycle: Continuous
Resistance: 215 ohms \pm 10% (@ 20c)
Amps @ rated Volts: 0.17
Watts @ rated Volts: 6.0
Holding: 88 lbs (1/4" Thick 1215 CRS @ 20c)
Operating Temp: -40c to 60c (range)

Additional Components

Screw: 10-32 x 1 1/4" Long (Hex Socket Head Cap) w/Nylok
Spring: N/A
Spiral Pin: N/A
Potting: United Resin Corp. (El-cast Black)
Finish: Housing - Zinc or Electroless Nickel Plating (0.0002-0.0003")

18" Long Leads
22 Ga. Type 1015 UL



PROPRIETARY AND CONFIDENTIAL
THE INFORMATION CONTAINED IN THIS DRAWING IS THE SOLE PROPERTY OF APW COMPANY. ANY REPRODUCTION IN PART OR AS A WHOLE WITHOUT THE WRITTEN PERMISSION OF APW COMPANY IS PROHIBITED.

| | | UNLESS OTHERWISE SPECIFIED: | | NAME | DATE |
|-------------|---------|--|-----------|------|----------|
| | | DIMENSIONS ARE IN INCHES TOLERANCES: FRACTIONAL $\pm .015$ ANGULAR: MACH ± 2 BEND ± 2 TWO PLACE DECIMAL $\pm .005$ THREE PLACE DECIMAL $\pm .003$ | DRAWN | K.H. | 07.13.11 |
| | | | CHECKED | J.K. | 07.13.11 |
| | | | ENG APPR. | J.K. | 07.13.11 |
| | | | MFG APPR. | J.K. | 07.13.11 |
| | | INTERPRET GEOMETRIC TOLERANCING PER: ANSI | Q.A. | | |
| | | MATERIAL | COMMENTS: | | |
| | | FINISH | | | |
| NEXT ASSY | USED ON | | | | |
| APPLICATION | | DO NOT SCALE DRAWING | | | |

| | | |
|-----------------------------|-------------------------|--------------|
| APW COMPANY | | |
| TITLE: P/N: EM150-36-112 | | |
| SIZE A | DWG. NO. 4803 | REV |
| SCALE: 1:1 | WEIGHT: | SHEET 1 OF 1 |