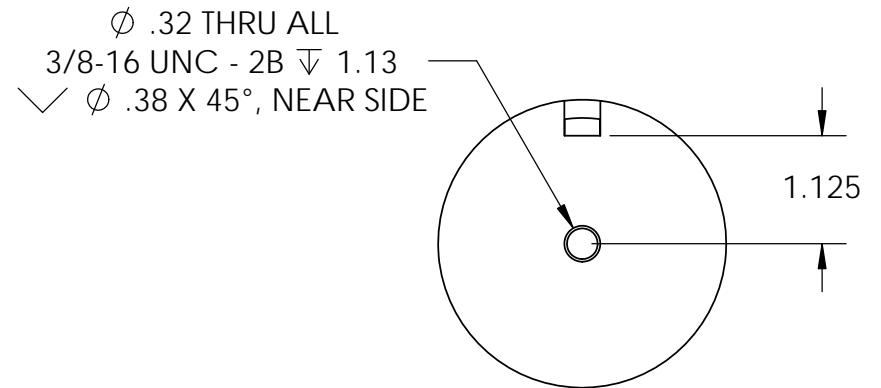
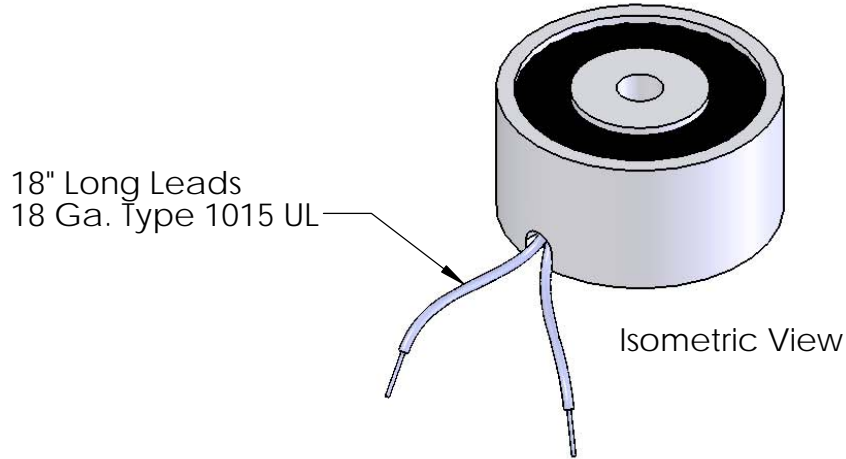
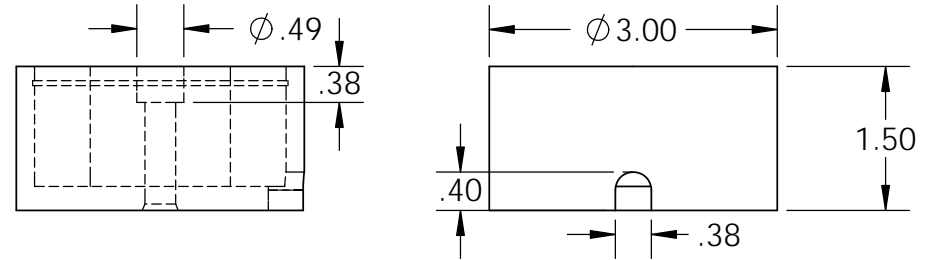


## Electrical Specifications

**Voltage:** 12 VDC  
**Duty Cycle:** Continuous  
**Resistance:** 10.5 ohms  $\pm$  10% (@ 20c)  
**Amps @ rated Volts:** 1.25  
**Watts @ rated Volts:** 15.0  
**Holding:** 400 lbs (1/4" Thick 1215 CRS @ 20c)  
**Operating Temp:** -40c to 60c (range)

## Additional Components

**Screw:** 5/16-18 x 1 1/2" Long (Socket Head Cap Screw) w/Nylok  
**Spring:** N/A  
**Spiral Pin:** N/A  
**Potting:** United Resin Corp. (EI-cast Black)  
**Finish:** Housing - Zinc or Electroless Nickel Plating (0.0002-0.0003")



<b>PROPRIETARY AND CONFIDENTIAL</b> THE INFORMATION CONTAINED IN THIS DRAWING IS THE SOLE PROPERTY OF APW COMPANY. ANY REPRODUCTION IN PART OR AS A WHOLE WITHOUT THE WRITTEN PERMISSION OF APW COMPANY IS PROHIBITED.			UNLESS OTHERWISE SPECIFIED:		NAME	DATE	<b>APW COMPANY</b>  TITLE:  P/N: EM300-12-212
			DIMENSIONS ARE IN INCHES	DRAWN	K.H.	07.15.11	
			TOLERANCES:	CHECKED	J.K.	07.15.11	
			FRACTIONAL $\pm$ .015	ENG APPR.	J.K.	07.15.11	
			ANGULAR: MACH $\pm$ 2 BEND $\pm$ 2	MFG APPR.	J.K.	07.15.11	
		TWO PLACE DECIMAL $\pm$ .005	Q.A.				
		THREE PLACE DECIMAL $\pm$ .003	COMMENTS:				
		INTERPRET GEOMETRIC TOLERANCING PER: ANSI					
		MATERIAL					
	NEXT ASSY	USED ON	FINISH				
	APPLICATION		DO NOT SCALE DRAWING				
					SIZE	DWG. NO.	REV
					<b>A</b>	<b>4785</b>	
					SCALE: 1:2	WEIGHT:	SHEET 1 OF 1