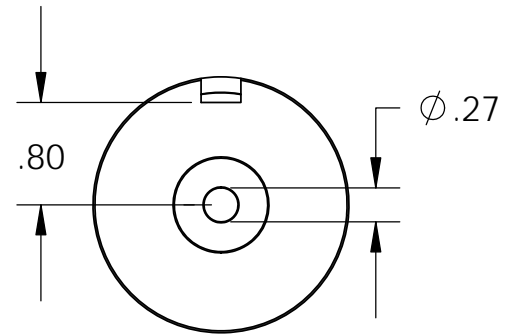
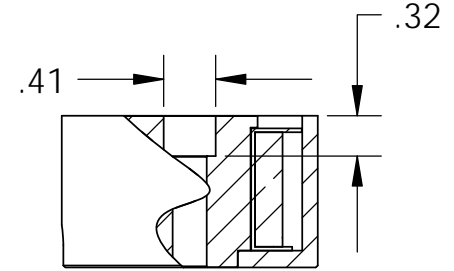
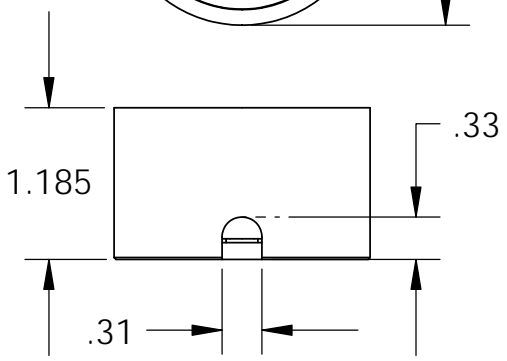
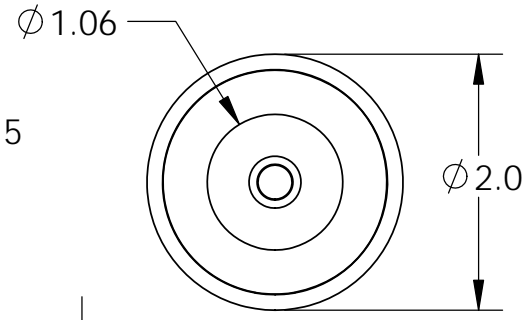


18" Long Leads  
18 Ga. Type UL 1015



**Electrical Specifications**

*Voltage:* 24 VDC  
*Duty Cycle:* Continuous  
*Resistance:* 82 ohms  $\pm$  10% (@ 20c)  
*Amps @ rated Volts:* 0.29  
*Watts @ rated Volts:* 7.0  
*Holding:* 140 lbs (1/4" Thick 1215 CRS @ 20c)  
*Operating Temp:* -40c to 60c (range)

**Additional Components**

*Screw:* 1/4-20 x 1 1/4" Long (Hex Socket Head Cap) w/Nylok  
*Spring:* N/A  
*Spiral Pin:* N/A  
*Potting:* United Resin Corp. (El-cast Black)  
**Finish:** Housing - Zinc or Electroless Nickel Plating (0.0002-0.0003")

**PROPRIETARY AND CONFIDENTIAL**  
 THE INFORMATION CONTAINED IN THIS DRAWING IS THE SOLE PROPERTY OF APW COMPANY. ANY REPRODUCTION IN PART OR AS A WHOLE WITHOUT THE WRITTEN PERMISSION OF APW COMPANY IS PROHIBITED.

		UNLESS OTHERWISE SPECIFIED:		NAME	DATE
		DIMENSIONS ARE IN INCHES TOLERANCES: FRACTIONAL $\pm$ .015 ANGULAR: MACH $\pm$ 2 BEND $\pm$ 2 TWO PLACE DECIMAL $\pm$ .005 THREE PLACE DECIMAL $\pm$ .003	DRAWN	K.H.	07.14.11
			CHECKED	J.K.	07.14.11
			ENG APPR.	J.K.	07.14.11
			MFG APPR.	J.K.	07.14.11
		INTERPRET GEOMETRIC TOLERANCING PER: ANSI	Q.A.		
		MATERIAL	COMMENTS:		
		FINISH			
NEXT ASSY	USED ON				
APPLICATION		DO NOT SCALE DRAWING			

**APW COMPANY**

TITLE:  
P/N: EM200-24-212

SIZE <b>A</b>	DWG. NO. <b>4742</b>	REV
SCALE: 2:3	WEIGHT:	SHEET 1 OF 1

5 4 3 2 1