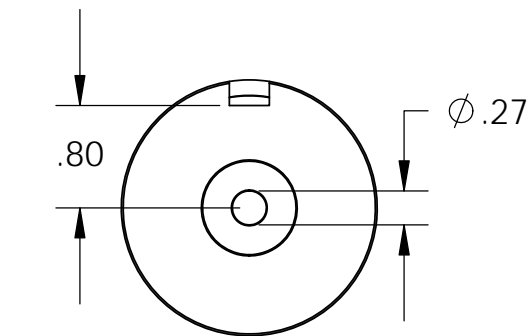
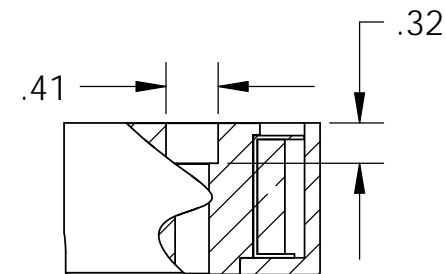
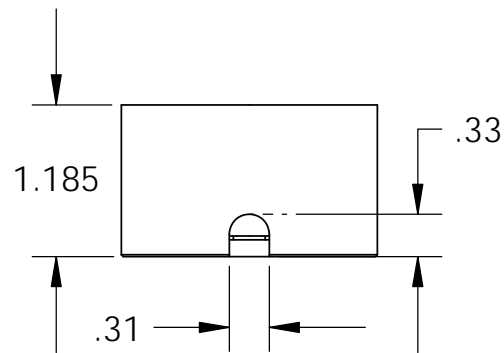
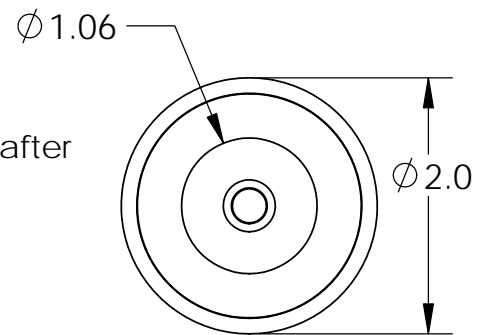


Isometric View

8" from coil to rectifier 11" after
18 Ga. Type 1015 UL



Electrical Specifications

Voltage: 115 VAC
Duty Cycle: Continuous
Resistance: 1388 ohms \pm 10% (@ 20c)
Amps @ rated Volts: 0.06
Watts @ rated Volts: 7.0
Holding: 140 lbs (1/4" Thick 1215 CRS @ 20c)
Operating Temp: -40c to 60c (range)

Additional Components

Screw: 1/4-20 x 1 1/4" Long (Hex Socket Head Cap) w/Nylok
Spring: N/A
Spiral Pin: N/A
Potting: United Resin Corp. (El-cast Black)

Finish:

Housing - Zinc or Electroless Nickel Plating
(0.0002-0.0003")

PROPRIETARY AND CONFIDENTIAL
 THE INFORMATION CONTAINED IN THIS DRAWING IS THE SOLE PROPERTY OF APW COMPANY. ANY REPRODUCTION IN PART OR AS A WHOLE WITHOUT THE WRITTEN PERMISSION OF APW COMPANY IS PROHIBITED.

		UNLESS OTHERWISE SPECIFIED:		NAME	DATE
		DIMENSIONS ARE IN INCHES TOLERANCES: FRACTIONAL \pm .015 ANGULAR: MACH \pm 2 BEND \pm 2 TWO PLACE DECIMAL \pm .005 THREE PLACE DECIMAL \pm .003	DRAWN	K.H.	07.14.11
			CHECKED	J.K.	07.14.11
			ENG APPR.	J.K.	07.14.11
			MFG APPR.	J.K.	07.14.11
			INTERPRET GEOMETRIC TOLERANCING PER: ANSI	Q.A.	
		MATERIAL	COMMENTS:		
		FINISH			
NEXT ASSY	USED ON				
APPLICATION		DO NOT SCALE DRAWING			

APW COMPANY

TITLE:

P/N: EM200-115ac-212

SIZE	DWG. NO.	REV
A	4738	

SCALE: 2:3 WEIGHT: SHEET 1 OF 1