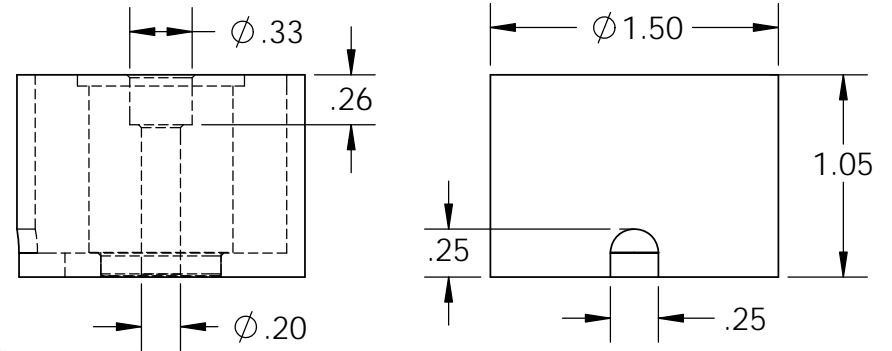


Electrical Specifications

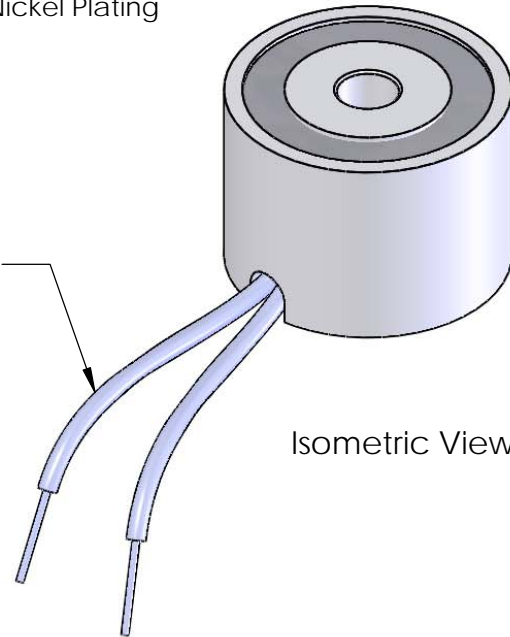
Voltage: 12 VDC
Duty Cycle: Continuous
Resistance: 24 ohms \pm 10% (@ 20c)
Amps @ rated Volts: 0.50
Watts @ rated Volts: 6.0
Holding: 88 lbs (1/4" Thick 1215 CRS @ 20c)
Operating Temp: -40c to 60c (range)

Additional Components

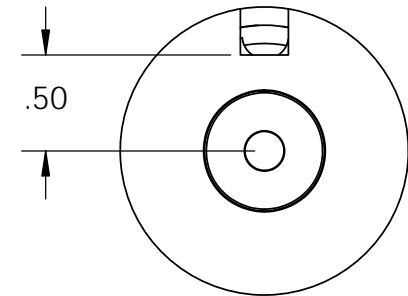
Screw: 10-32 x 1 1/4" Long (Hex Socket Head Cap) w/Nylok
Spring: N/A
Spiral Pin: N/A
Potting: United Resin Corp. (El-cast Black)
Finish: Housing - Zinc or Electroless Nickel Plating (0.0002-0.0003")



18" Long Leads
22 Ga. Type 1015 UL



Isometric View



PROPRIETARY AND CONFIDENTIAL
 THE INFORMATION CONTAINED IN THIS DRAWING IS THE SOLE PROPERTY OF APW COMPANY. ANY REPRODUCTION IN PART OR AS A WHOLE WITHOUT THE WRITTEN PERMISSION OF APW COMPANY IS PROHIBITED.

		UNLESS OTHERWISE SPECIFIED:	NAME	DATE	APW COMPANY	
		DIMENSIONS ARE IN INCHES	DRAWN	K.H.	07.13.11	TITLE: P/N: EM150-12-212
		TOLERANCES: FRACTIONAL \pm .015	CHECKED	J.K.	07.13.11	
		ANGULAR: MACH \pm 2 BEND \pm 2	ENG APPR.	J.K.	07.13.11	
		TWO PLACE DECIMAL \pm .005	MFG APPR.	J.K.	07.13.11	
		THREE PLACE DECIMAL \pm .003	Q.A.			SIZE DWG. NO. REV A 4731
		INTERPRET GEOMETRIC TOLERANCING PER: ANSI	COMMENTS:			
		MATERIAL				SCALE: 1:1 WEIGHT: SHEET 1 OF 1
		FINISH				
	NEXT ASSY	USED ON				
	APPLICATION		DO NOT SCALE DRAWING			