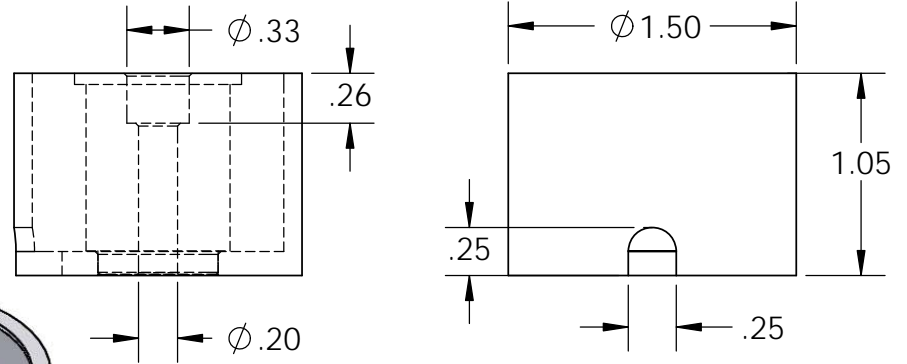


Electrical Specifications

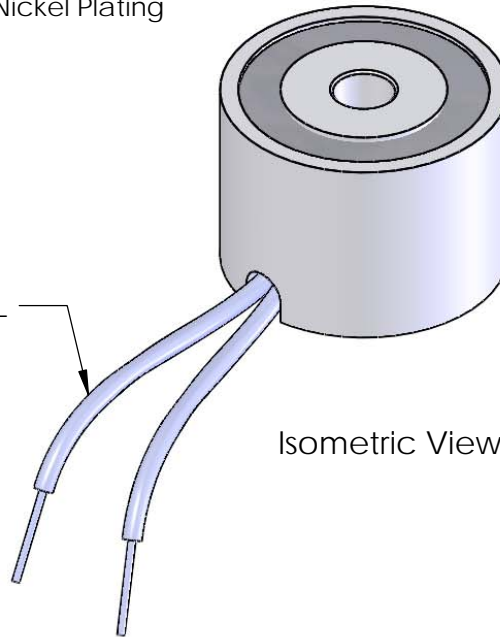
Voltage: 24 VDC
Duty Cycle: Continuous
Resistance: 96 ohms \pm 10% (@ 20c)
Amps @ rated Volts: 0.25
Watts @ rated Volts: 6.0
Holding: 88 lbs (1/4" Thick 1215 CRS @ 20c)
Operating Temp: -40c to 60c (range)

Additional Components

Screw: 10-32 x 1 1/4" Long (Hex Socket Head Cap) w/Nylok
Spring: N/A
Spiral Pin: N/A
Potting: United Resin Corp. (El-cast Black)
Finish: Housing - Zinc or Electroless Nickel Plating (0.0002-0.0003")



18" Long Leads
22 Ga. Type 1015 UL



Isometric View

PROPRIETARY AND CONFIDENTIAL THE INFORMATION CONTAINED IN THIS DRAWING IS THE SOLE PROPERTY OF APW COMPANY. ANY REPRODUCTION IN PART OR AS A WHOLE WITHOUT THE WRITTEN PERMISSION OF APW COMPANY IS PROHIBITED.			UNLESS OTHERWISE SPECIFIED:		NAME	DATE	APW COMPANY TITLE: P/N: EM150-24-212
			DIMENSIONS ARE IN INCHES	DRAWN	K.H.	07.13.11	
			TOLERANCES:	CHECKED	J.K.	07.13.11	
			FRACTIONAL \pm .015	ENG APPR.	J.K.	07.13.11	
			ANGULAR: MACH \pm 2 BEND \pm 2	MFG APPR.	J.K.	07.13.11	
		TWO PLACE DECIMAL \pm .005	Q.A.				
		THREE PLACE DECIMAL \pm .003	COMMENTS:				
		INTERPRET GEOMETRIC TOLERANCING PER: ANSI					
		MATERIAL					
		FINISH					
	NEXT ASSY	USED ON					
	APPLICATION		DO NOT SCALE DRAWING				
					SIZE	DWG. NO.	REV
					A	4730	
					SCALE: 1:1	WEIGHT:	SHEET 1 OF 1