

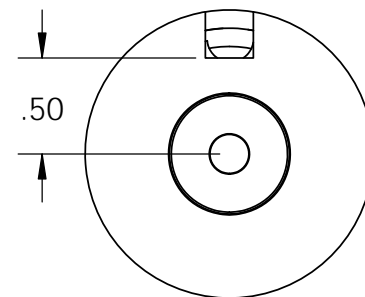
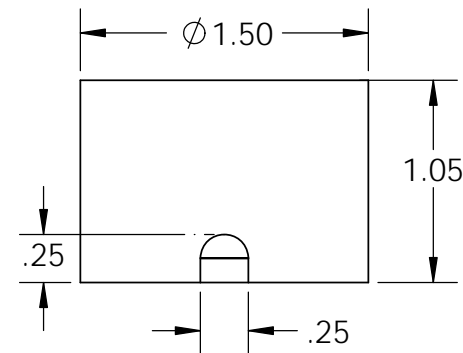
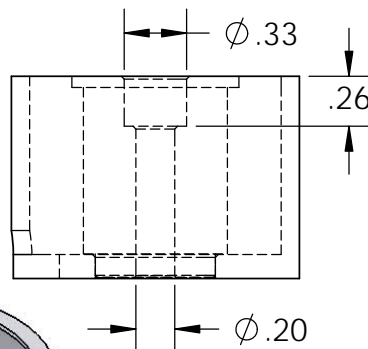
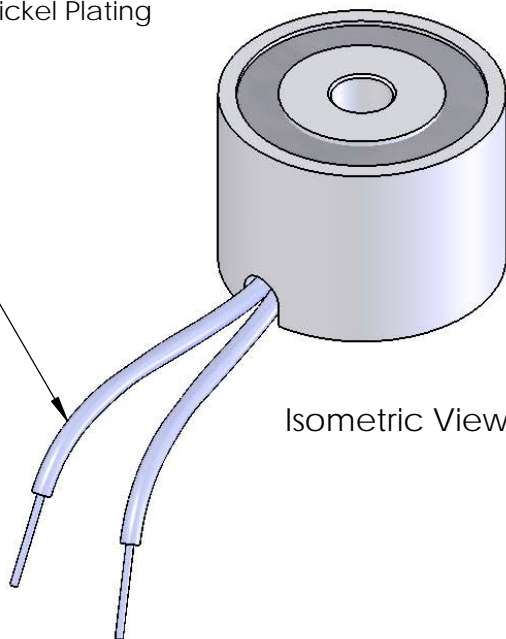
Electrical Specifications

Voltage: 110 VDC
Duty Cycle: Continuous
Resistance: 2000 ohms \pm 10% (@ 20c)
Amps @ rated Volts: 0.05
Watts @ rated Volts: 6.0
Holding: 88 lbs (1/4" Thick 1215 CRS @ 20c)
Operating Temp: -40c to 60c (range)

Additional Components

Screw: 10-32 x 1 1/4" Long (Hex Socket Head Cap) w/Nylok
Spring: N/A
Spiral Pin: N/A
Potting: United Resin Corp. (Ei-cast Black)
Finish: Housing - Zinc or Electroless Nickel Plating (0.0002-0.0003")

18" Long Leads
22 Ga. Type 1015 UL



PROPRIETARY AND CONFIDENTIAL THE INFORMATION CONTAINED IN THIS DRAWING IS THE SOLE PROPERTY OF APW COMPANY. ANY REPRODUCTION IN PART OR AS A WHOLE WITHOUT THE WRITTEN PERMISSION OF APW COMPANY IS PROHIBITED.			UNLESS OTHERWISE SPECIFIED:		NAME	DATE	<h1>APW COMPANY</h1> <p>TITLE:</p> <h2>P/N: EM150-110-212</h2>
			DIMENSIONS ARE IN INCHES	DRAWN	K.H.	07.13.11	
			TOLERANCES:	CHECKED	J.K.	07.13.11	
			FRACTIONAL \pm .015	ENG APPR.	J.K.	07.13.11	
			ANGULAR: MACH \pm 2 BEND \pm 2	MFG APPR.	J.K.	07.13.11	
		TWO PLACE DECIMAL \pm .005	Q.A.				
		THREE PLACE DECIMAL \pm .003	COMMENTS:				
		INTERPRET GEOMETRIC TOLERANCING PER: ANSI					
		MATERIAL					
	NEXT ASSY	USED ON	FINISH				
	APPLICATION		DO NOT SCALE DRAWING				
				SIZE	DWG. NO.	REV	
				A	4729		
				SCALE: 1:1	WEIGHT:	SHEET 1 OF 1	